



4A-BF2

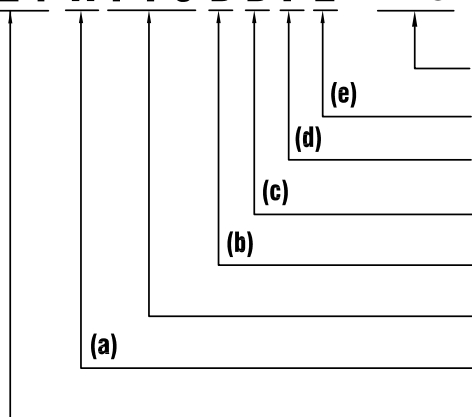
SPECIFICATION

- Electrical Rating : 15A 125V AC (Resistive Load)
10A 250V AC (Resistive Load)
16A 250V AC(Resistive Load)
- Operating Temp : 50 ~ 175°C (UL.CUL 205°C)
- Differential : 10~30K (15K Standard)
- Temp. Tolerance : Operating Temp.±3K±5K
- Heat Durability : 220°C Max.(PPS)
- Circuit Resistance : 50mΩ Max.
- Insulation Resistance : 100MΩ Min.at DC 500V
- Dielectric Strength : AC 1000V for One Minute.
or AC 1800V for One Second.
- Operating Life : 100000 Cycles (15A 125V/10A 250V AC)
10000 Cycles (16A 250V AC)
- Weight:5.2g max.

HOW TO ORDER

MODEL CODE (FULL CODE)

T24 A110BBF2-15



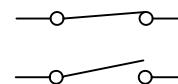
- Differential**
- Terminal Size**-----Please Refer Fig.(e)
- Terminal Orientation**---Please Refer Fig.(d)
- Bracket Type**----- Please Refer Fig.(c)
- Temp. Tolerance**----- Please Refer Fig.(b)
- Operating Temp**
- Contact Type**----- Please Refer Fig.(a)
- Model**

(a) CONTACT TYPE :

A = Contact Opens When Temperature Rises to Set Point (Normally Closed)

B = Contact Closes When Temperature Rises to Set Point (Normally Open)

M = Manual Reset



(b) TEMP. TOLERANCE : (*=STANDARD)

Grade	A	*B
Action ± °C	3	5
Reset ± °C	4	8

- The Grade of Temp. Tolerance is "A", When The Operating Temp. is Less Than 105°C.
- The Grade of Temp. Tolerance is "B", When The Operating Temp. is Over 106°C.

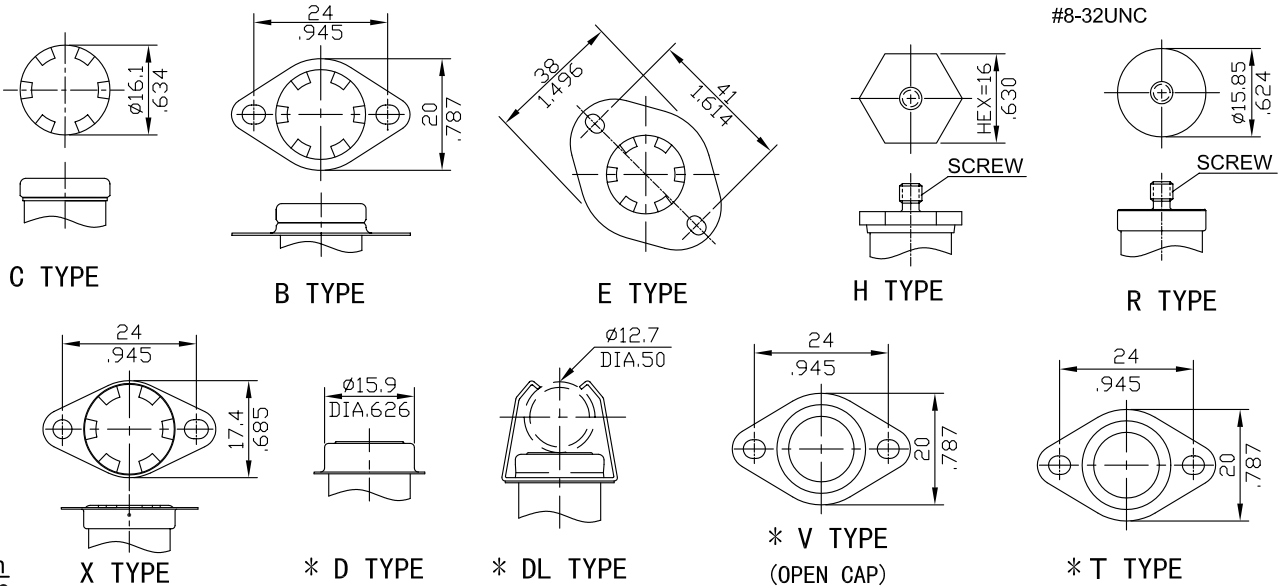


(c) BRACKET TYPE :

● FIXED BRACKET

* STAINLESS STEEL CAP : D,DL,V,T TYPE

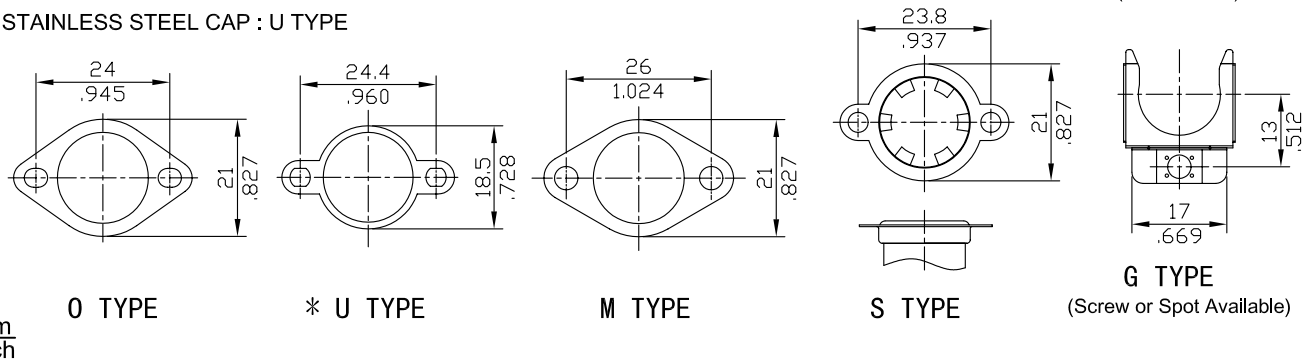
SCREW TYPE : M4x0.7 L:6mm (STD)
M5x0.8 L:6mm (STD)
#6-32UNC
#8-32UNC



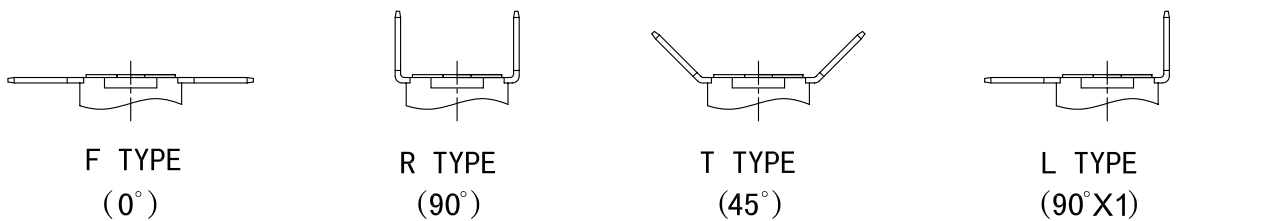
● LOOSE BRACKET

* STAINLESS STEEL CAP : U TYPE

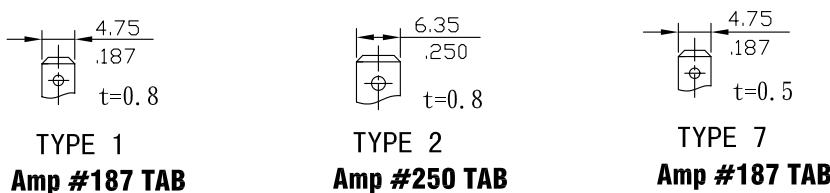
(ONE WING)



(d) TERMINAL ORIENTATION:



(e) TERMINAL SIZE:

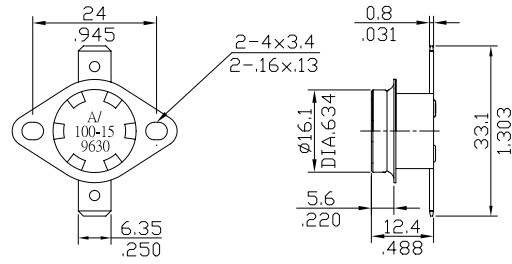




Thermostat T24 Series

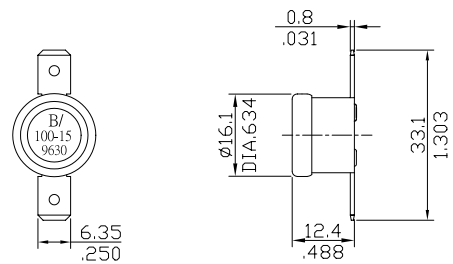


4A-BF2



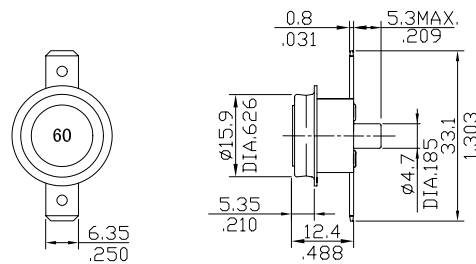
mm
inch

4B-CF2



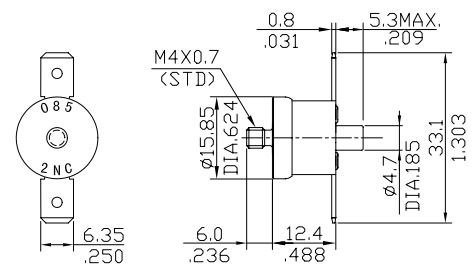
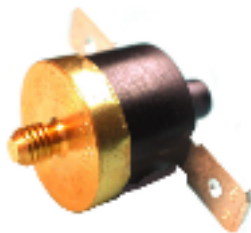
mm
inch

4M-DF2



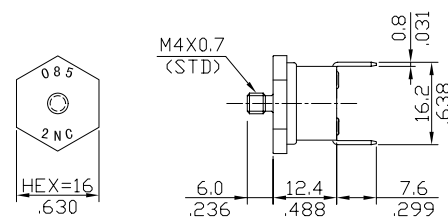
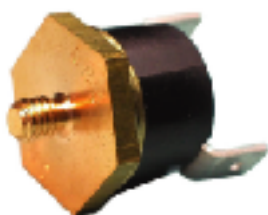
mm
inch

4M-RF2



mm
inch

4A-HR1



mm
inch

