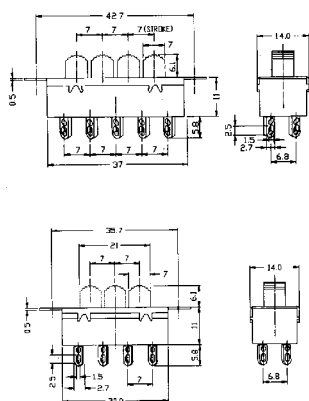


Slide Switch SS Series

SS-009-3 SERIES

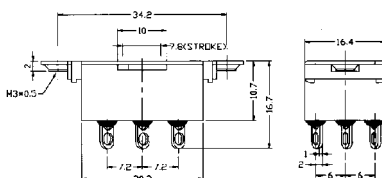
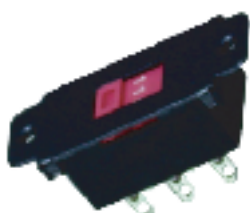


SPECIFICATION

- Circuit : NA
- Rating : A.C. 250V 6A
- Contact R.[max] : D.C. 5V 1A 30m
- Insulation R.[min] : D.C. 500V 100M
- Withstand VOL. : A.C. 1,000V 1minute
- Life cycle[max] : 10,000 CYCLES

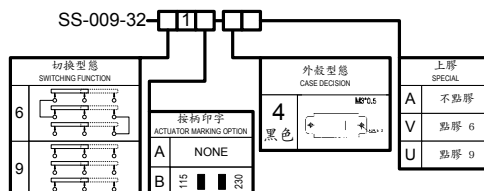
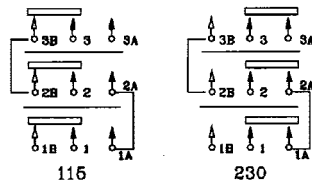


SS-009-32 SERIES

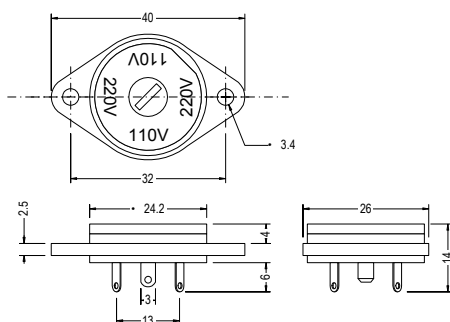


SPECIFICATION

- Circuit : NA
- Rating : A.C. 250V 10A
- Contact R.[max] : D.C. 5V 1A 30m
- Insulation R.[min] : D.C. 500V 100M
- Withstand VOL. : A.C. 1,000V 1minute
- Life cycle[max] : 10,000 CYCLES



SS-010



SPECIFICATION

- Circuit : ON-ON-ON-ON(1P4T)
- Rating : A.C. 250V 10A

