

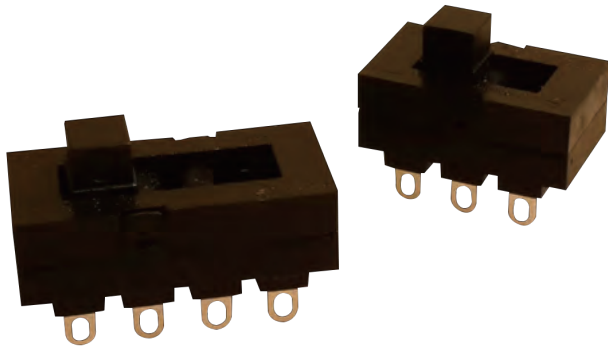


High Current Slide Switch SB Series



SPECIFICATIONS

- Electrical Rating : 16A 125VAC
10A 250VAC
- Mechanical life: Over 30000 cycles
- Electrical life: Over 10000 cycles
- Contact resistance: <20mΩ
- Insulation resistance: >1000MΩ(500VDC between open contacts)
- High voltage resistance: >1500VAC 1 min.
- Ambient temperature: 105°C
- Atmospheric humidity: Max.85%
- Storage temperature: -30 to +80°C Max
- Solder ability of terminal: Max 350°C 3s



MATERIALS

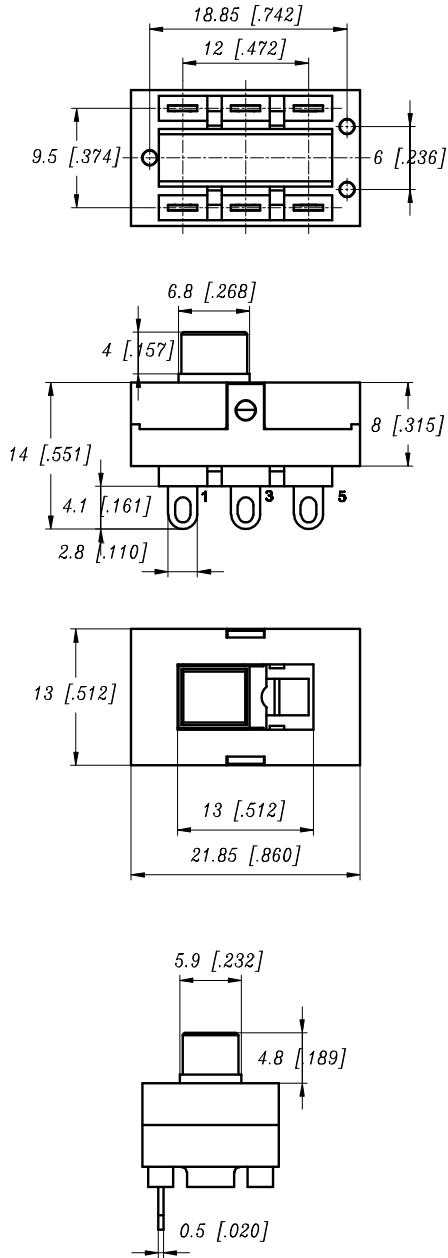
- Housing: PA 66
- Knob : PA66
- Contact: Copper Silver plated
- Terminal: Copper Silver plated
- Spring: SWC

HOW TO ORDER

| SB | 1 | 1 | 5 | K | K | E | W | 0 | C |
|--------|-----------------------|--------------|------------------------|---------------|----------------|---------|--------------|--------------|-----------------|
| Series | Switch Function | Poles | Rating | Housing Color | Actuator Color | Marking | Terminal | Lamp Voltage | Safety Approval |
| | 1 ON-ON 2 ON-ON-ON | 1 SP 2 DP | 5 16A 125V 10A 250V | K BLACK | K BLACK | E BLANK | W Solder Lug | | |



Dimension of SB115KKEW0C



Dimension of SB225KKEW0C

