



Rocker Switch R918/R9D8 Series



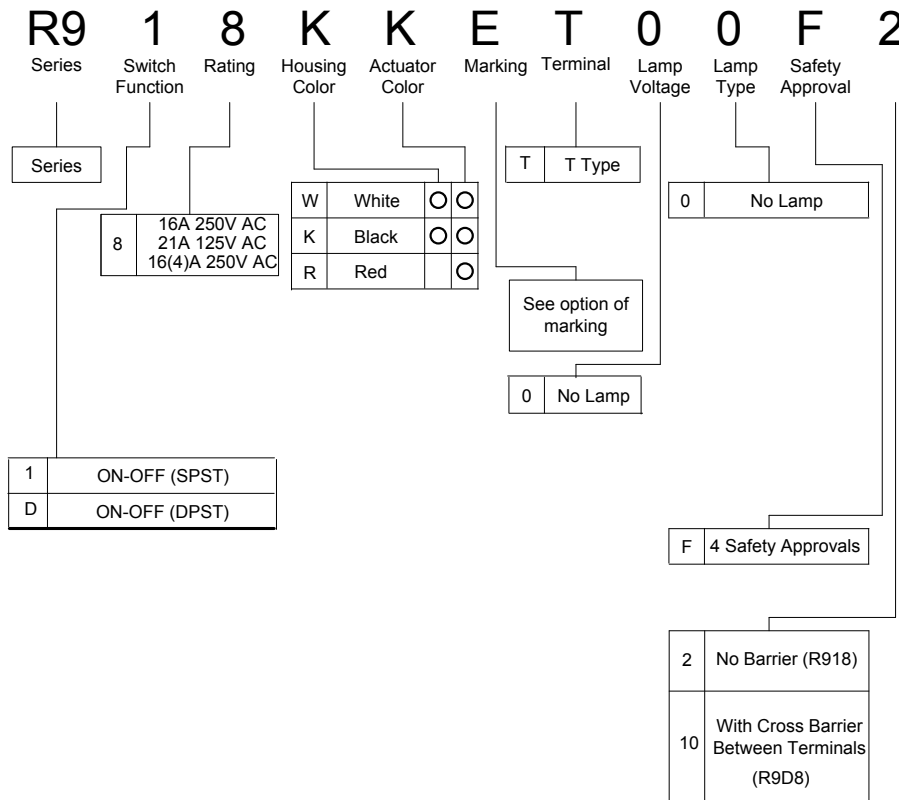
SPECIFICATION

- Electrical Rating : 21A 125VAC 16A 250VAC (UL)
16(4)A 250VAC (VDE)
- Mechanical life: Over 30000 cycles
- Electrical life: Over 10000 cycles
- Contact resistance: <20mΩ
- Insulation resistance: >1000MΩ
- High voltage resistance: >1500VAC 1 min.
- Ambient temperature: Terminal side -20 to +85°C
Actuating side- 20 to +55°C
- Atmospheric humidity: Max.85%
- Actuating force: 4 to 8N(depends on different switch function)
- Flammability: UL94V-2
- Storage temperature: -30 to +80°C Max
- Temperature rise at the terminal: Max 30°C (UL1054)
- Solder ability of terminal: Max 350°C 3s

MATERIALS

- Housing: PA 66
- Rocker: PC & PA66
- Contact: Silver alloy
- Terminal: Brass silver plated
- Lamp: No lamp used
- Movable arm: Beryllium copper

HOW TO ORDER

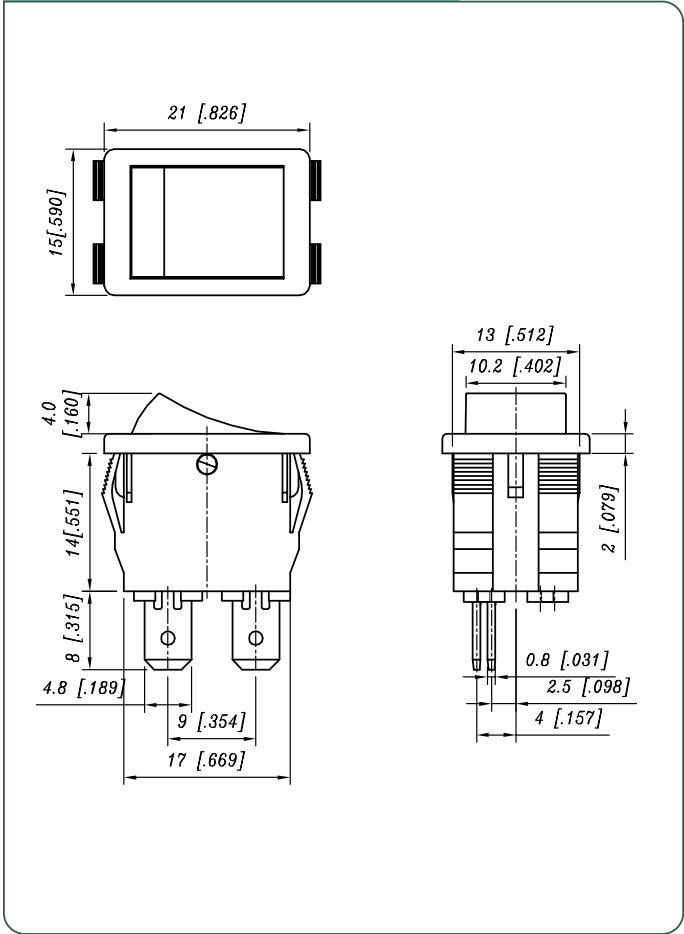




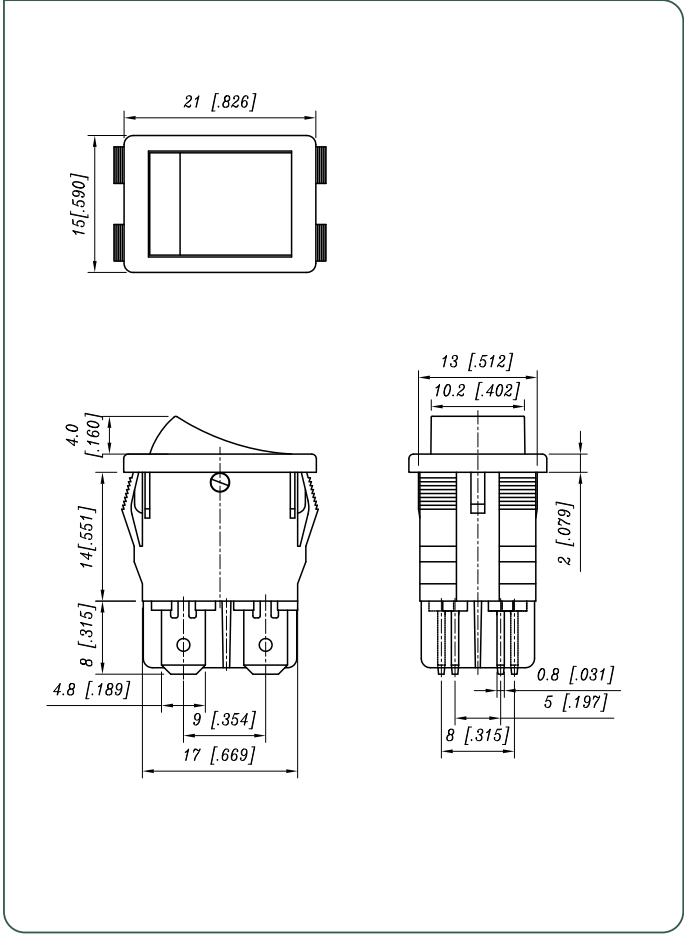
Rocker Switch R918/R9D8 Series



Dimension of R918



Dimension of R9D8



Panel cut out

