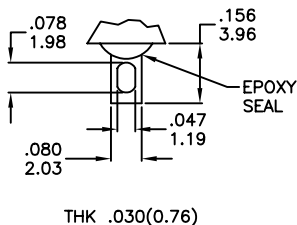


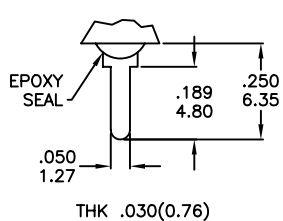


TERMINATION OPTIONS

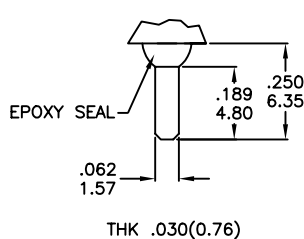
M1 SOLDER LUG



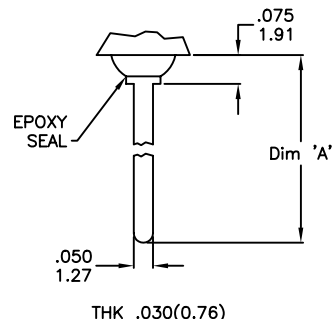
M2 PC THRU-HOLE



M3 QUICK CONNECT



M5 WIRE WRAP

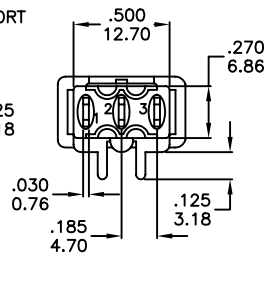
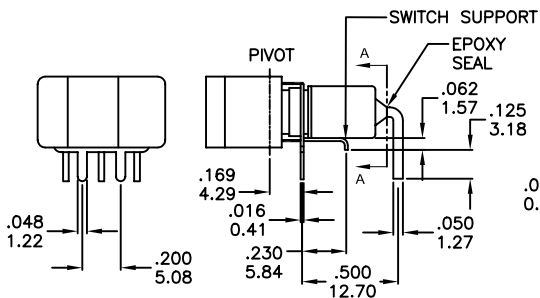


OTHER TERMINATION OPTIONS

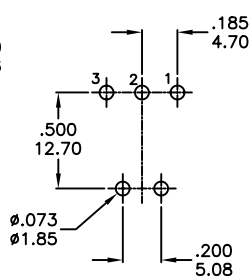
- M6 RIGHT ANGLE P.C. MOUNT
- M7 RIGHT ANGLE P.C. MOUNT
- VS2 VERTICAL BRACKET P.C. MOUNT
- VS3 VERTICAL BRACKET P.C. MOUNT
- VS4 VERTICAL BRACKET P.C. MOUNT
- VS5 VERTICAL BRACKET P.C. MOUNT

OPTION CODE	DIM. 'A'
M5-1	.737(18.70)
M5-2	.953(24.20)
M5-3	.415(10.55)
M5-4	1.062(26.97)

M6 Shown with J1 Actuator



P.C. MOUNTING

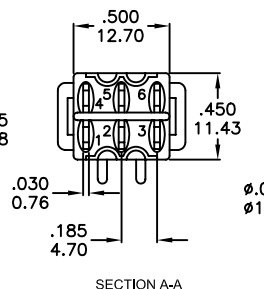
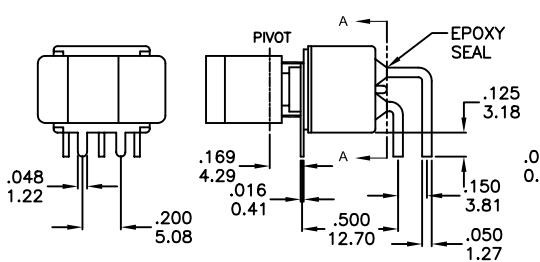


SECTION A-A
TERM.NOS.FOR
REFERENCE ONLY

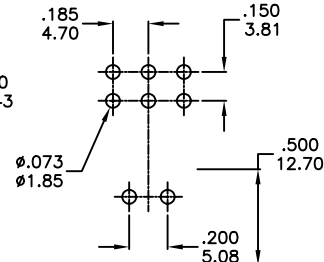
Part No. Shown : 3MS1J102M6QE

SPDT

M6



P.C. MOUNTING



SECTION A-A
TERM.NOS.FOR
REFERENCE ONLY

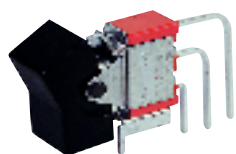
Part No. Shown : 3MD1J102M6QE

DPDT

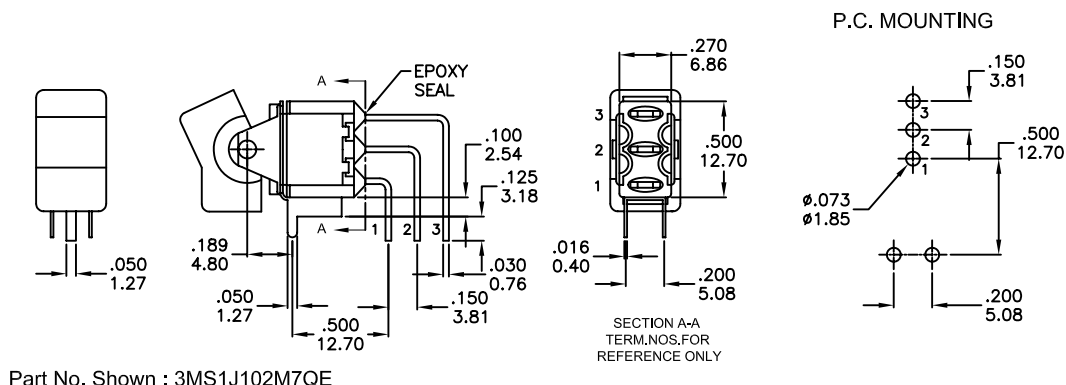


Rocker&Paddle Switch 3M Series

M7

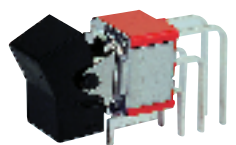


SPDT

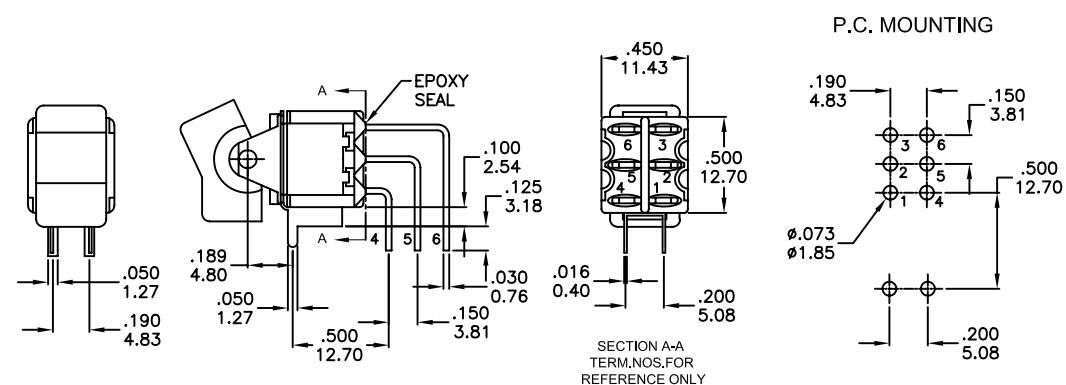


Part No. Shown : 3MS1J102M7QE

M7

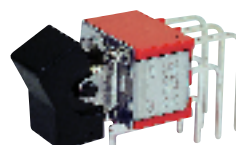


DPDT

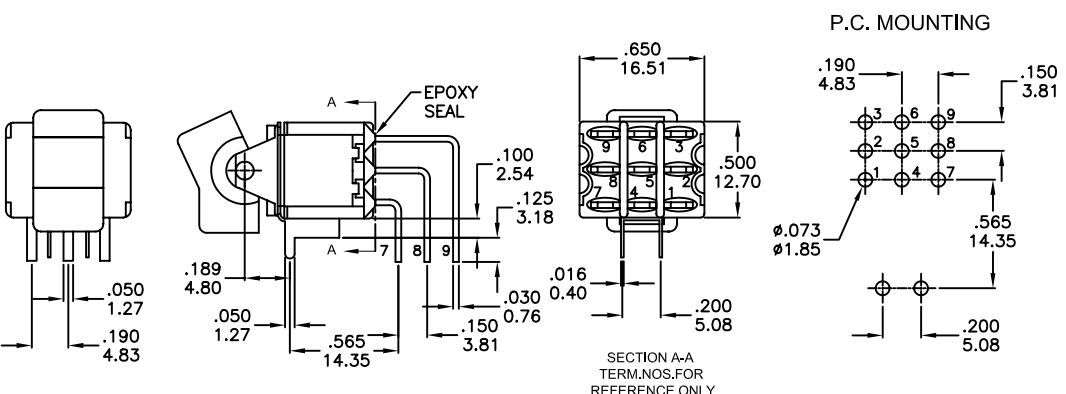


Part No. Shown : 3MD1J102M7QE

M7

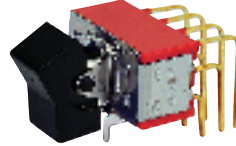


3PDT

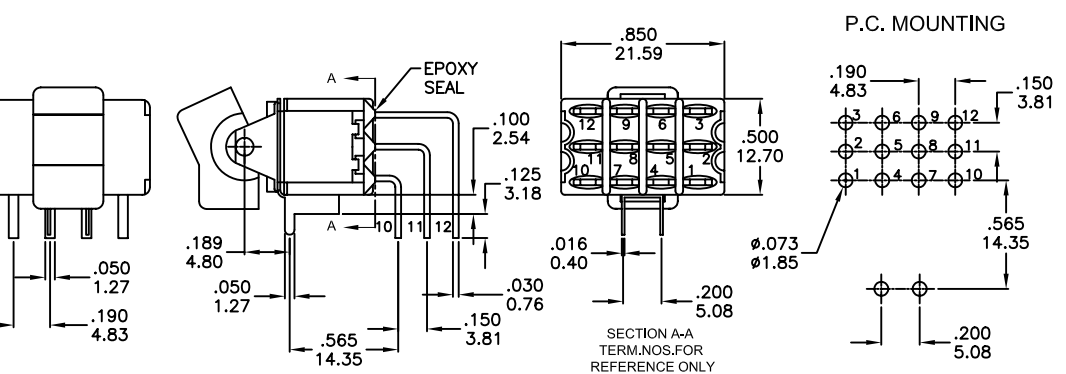


Part No. Shown : 3M31J102M7QE

M7



4PDT



Part No. Shown : 3M41J102M7RE

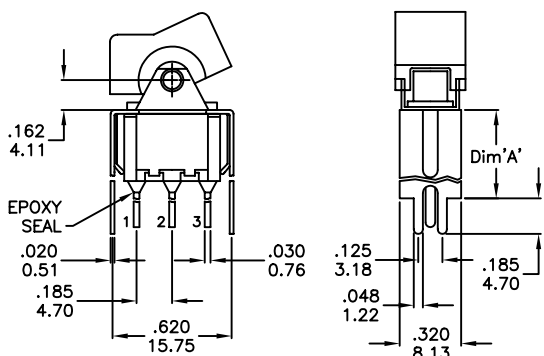


Rocker&Paddle Switch 3M Series

VS2-VS3

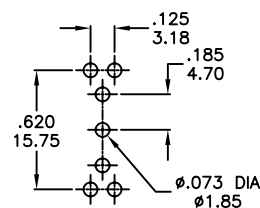


SPDT



OPTION CODE	DIM. 'A'
VS2	.460 11.68
VS3	.630 16.00

P.C. MOUNTING

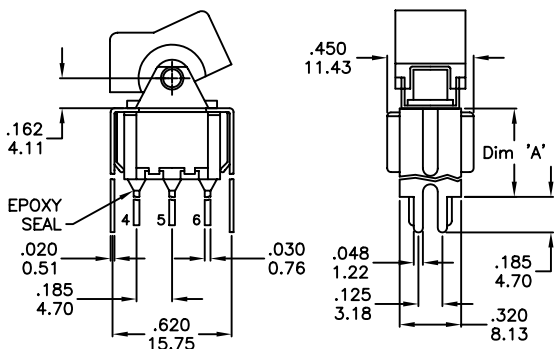


Part No. Shown : 3MS1J102VS2QE

VS2-VS3

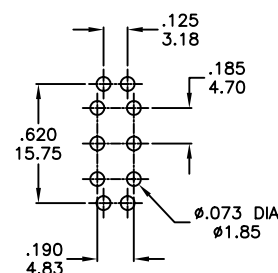


DPDT



OPTION CODE	DIM. 'A'
VS2	.460 11.68
VS3	.630 16.00

P.C. MOUNTING

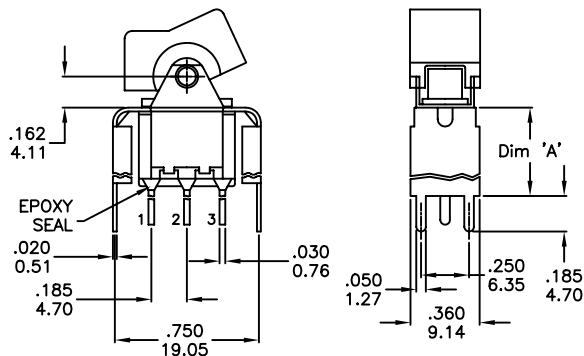


Part No. Shown : 3MD1J102VS2QE

VS4-VS5

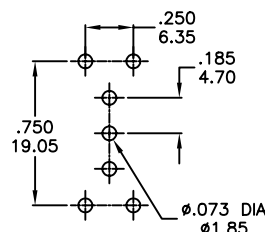


SPDT



OPTION CODE	DIM. 'A'
VS4	.460 11.68
VS5	.630 16.00

P.C. MOUNTING

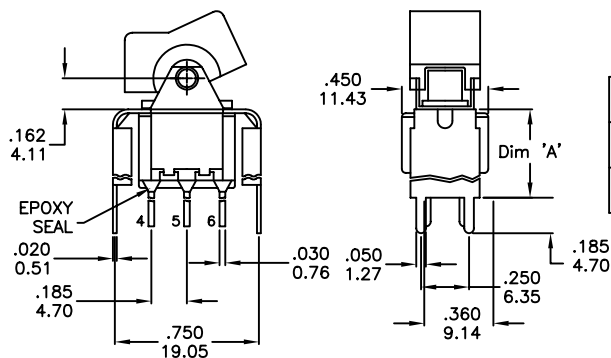


Part No. Shown : 3MS1J102VS4QE

VS5

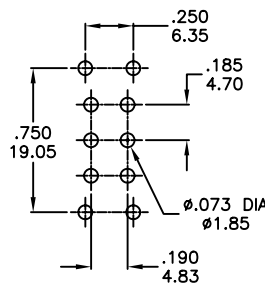


DPDT



OPTION CODE	DIM. 'A'
VS4	.460 11.68
VS5	.630 16.00

P.C. MOUNTING



Part No. Shown : 3MD1J102VS5QE