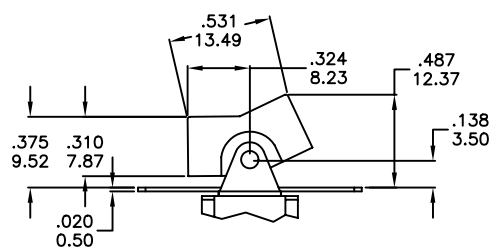
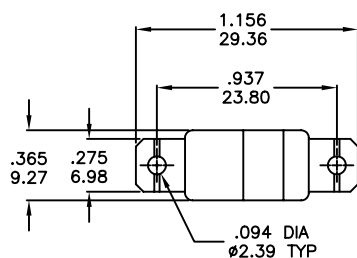
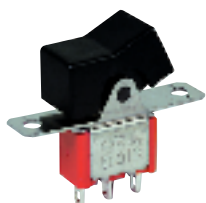


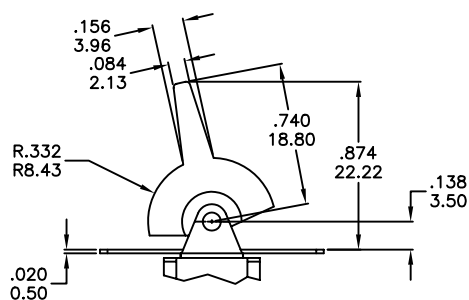
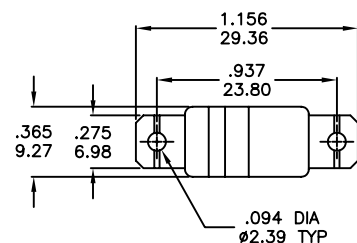


ACTUATOR OPTIONS FOR PANEL MOUNT ONLY

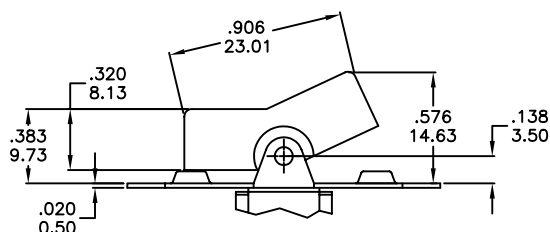
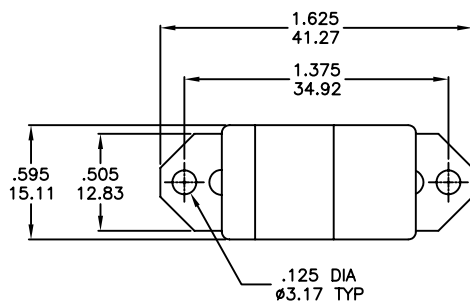
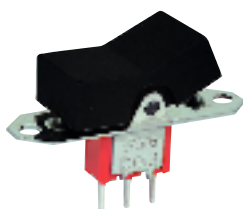
R1



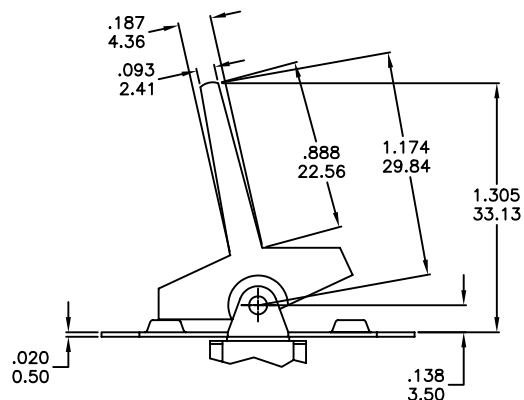
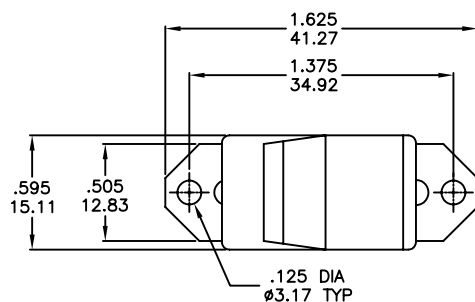
R2



R3



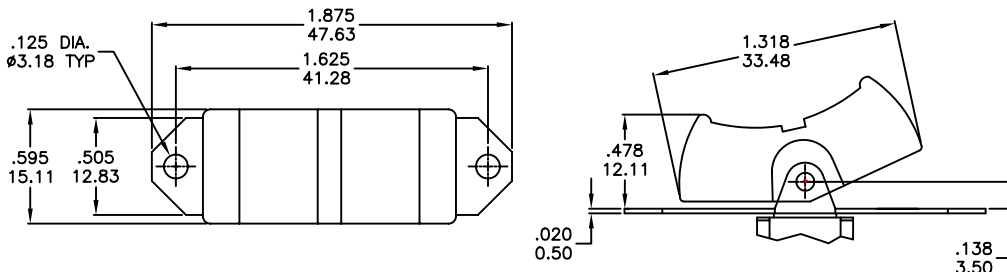
R4



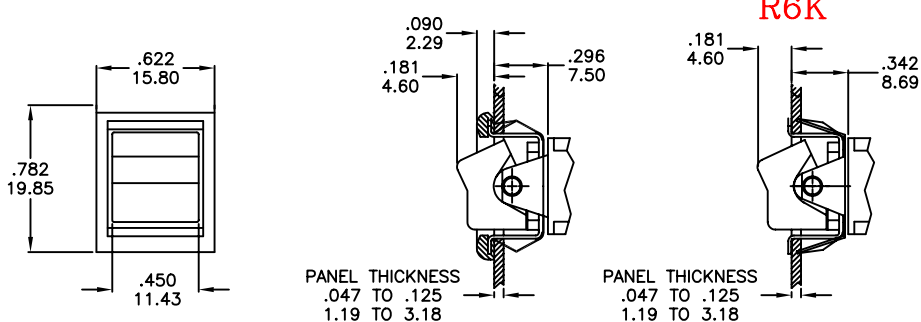


ACTUATOR OPTIONS SNAP-IN FRONT MOUNT

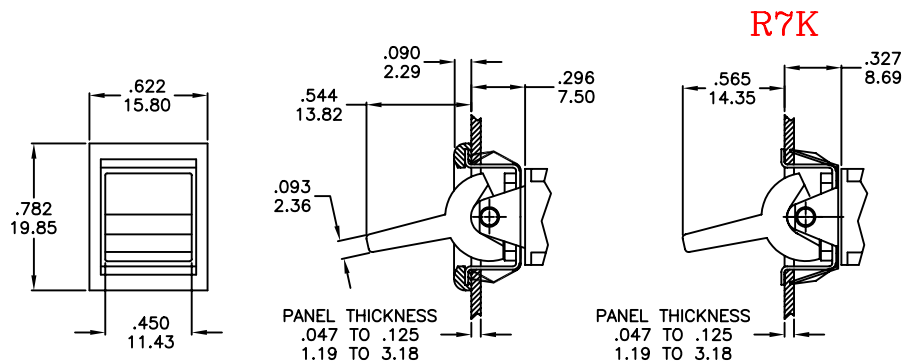
R5



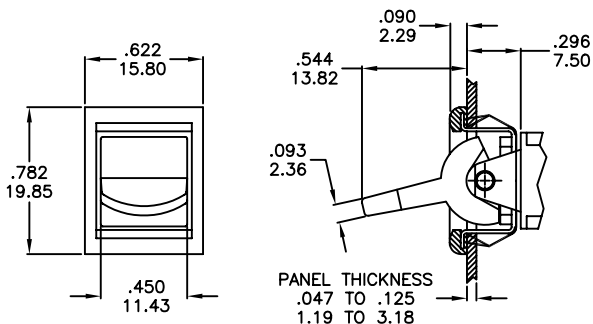
R6



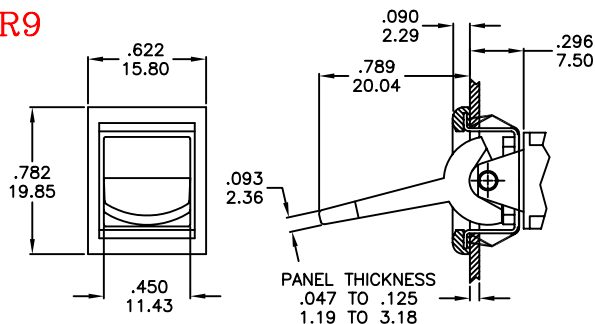
R7



R8



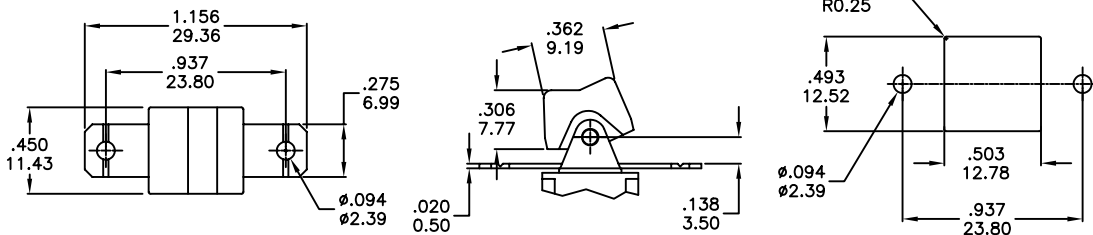
R9



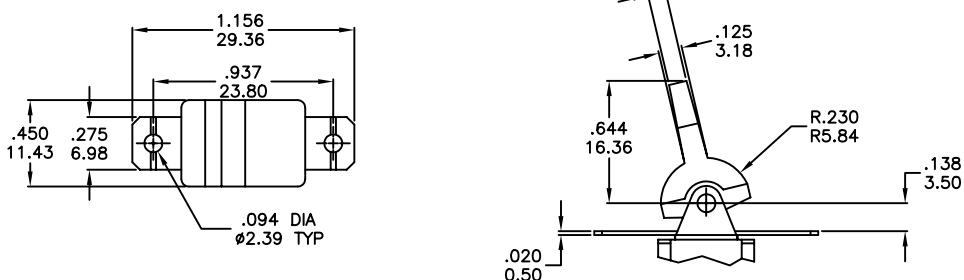


Rocker&Paddle Switch 3M Series

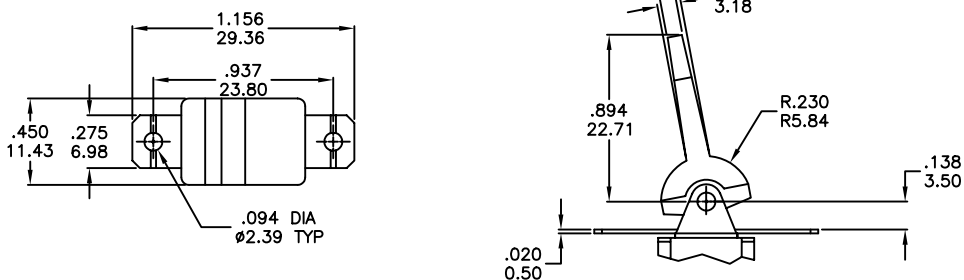
R11



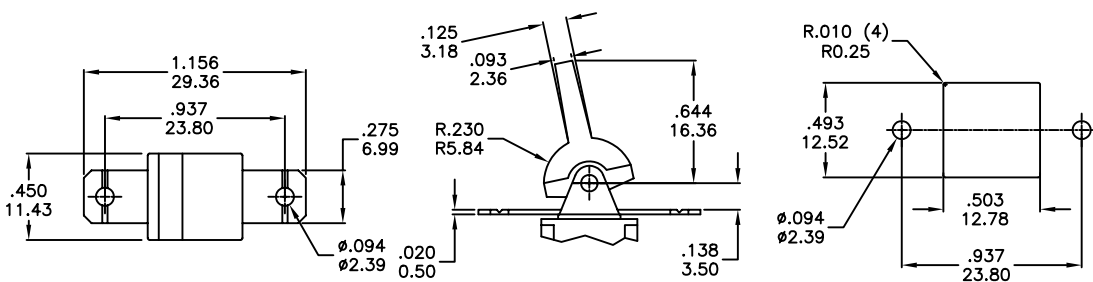
R12



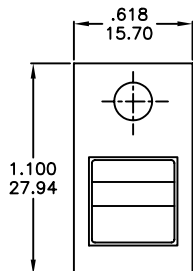
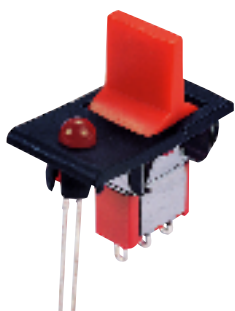
R13



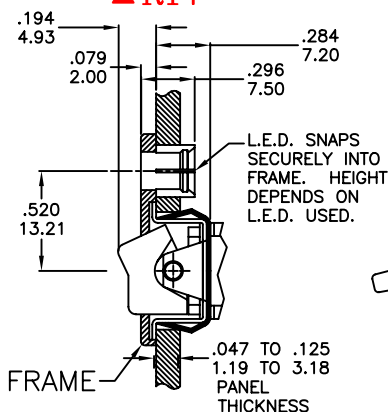
R16



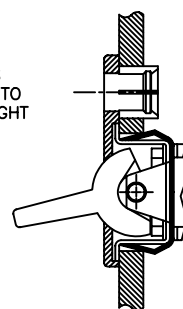
R18



▲ R17



▲ R18



CAP AND FRAME COLORS

OPTION CODE	COLOR
1	WHITE
2	BLACK(std)
3	RED

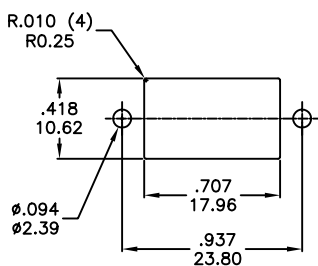
LED COLORS

OPTION CODE	COLOR
R	RED(std)
O	ORANGE
G	GREEN

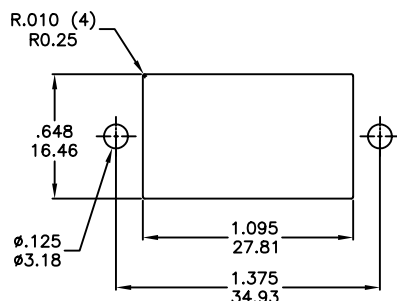


RECOMMENDED MOUNTING

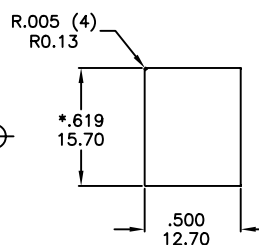
For R1-R2



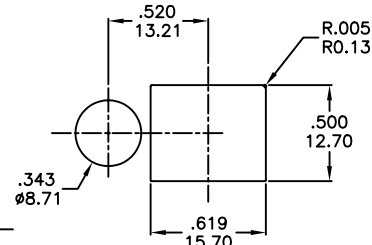
For R3-R4



For R6-R9



For R17-R18

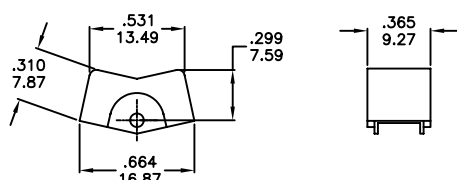


*For R8 and R9: Increase this dim. to .620/.625(15,75/15,88) for .091/.125 (2,31/3,18) thk. panels.

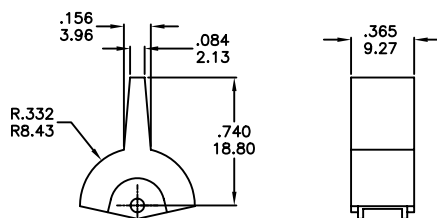
* For R6 and R7: Increase this dim. to .620/.625(15,75/15,88) for .060/.125 (1,52/3,18) thk. panels.

ACTUATOR OPTIONS FOR P.C. MOUNT ONLY

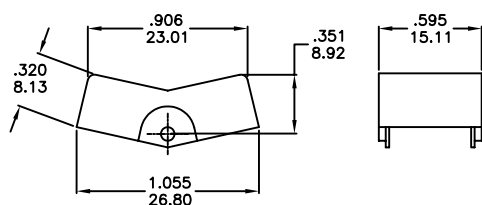
J1



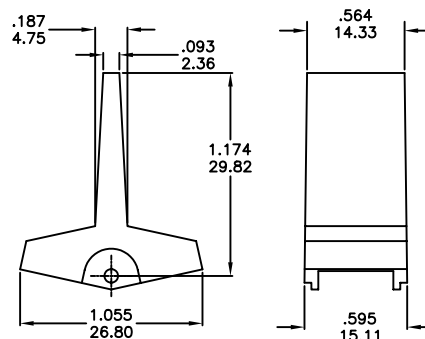
J2



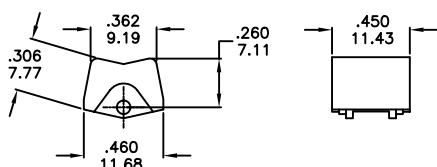
J3



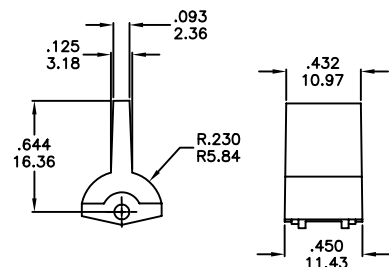
J4



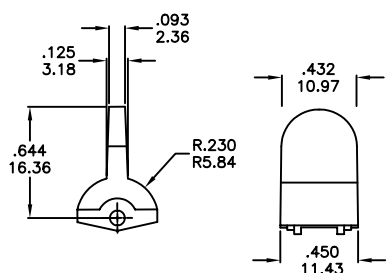
J5



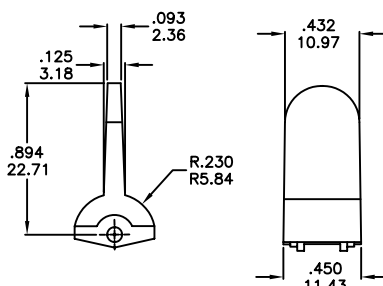
J6



J7



J8



Actuator and frame colors:

ITEM NO	COLOR	PANTONE
1	White	
2	Black (Std)	Black C
3	Red	1797C
4	Orange	Warm Red C
5	Yellow	115C
6	Green	336C
7	Blue	2787C
8	Brown	490C
9	Gray	Cool Gray C