



Feature


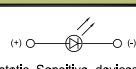
- LED illumination, Two color available
- Snap in Panel Mount installation
- Single pole/Single throw, Momentary

Applications

- Automotive Industry
- Office appliance
- Computer Products
- Communication Equipments

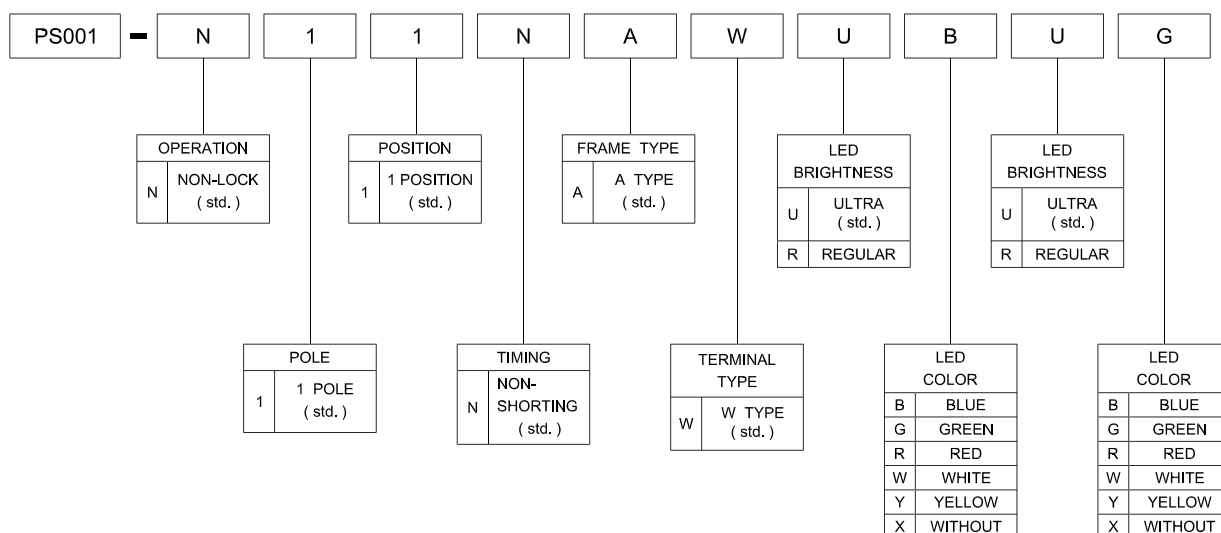
SPECIFICATIONS

SWITCH SPECIFICATIONS	
POLE - POSITION	Momentary Type , SPST with LED
CONTACT RATING	30 V DC , 0.1 A
CONTACT RESISTANCE	50 mΩ max . 1.5 V DC ; 100 mA , by Method of Voltage DROP
INSULATION RESISTANCE	100 MΩ min . 500 V DC
DIELECTRIC STRENGTH	Breakdown is not Allowable ; 500 V AC for 1 Minute
OPERATING FORCE	250 ± 100 gf
OPERATING LIFE	10,000 cycles
OPERATING TEMPERATURE RANGE	-40°C ~ 85°C
TOTAL TRAVEL	1.8 ± 0.3 mm

LED SPECIFICATIONS							
 ATTENTION LEDs are Electrostatic Sensitive devices		Unit	Value / LED Color				
			Blue	Green	Red	White	Yellow
FORWARD CURRENT	If	mA	30	30	30	30	30
REVERSE VOLTAGE	Vr	V	5.0	5.0	5.0	5.0	5.0
REVERSE CURRENT	Ir	μA	50	10	10	10	10
FORWARD VOLTAGE@20mA	Vf	V	@4mA 2.5-3.5	1.7-2.6	2.0-2.5	3.3-3.8	2.2-2.7
LUMINOUS INTENSITY@20mA	Iv	mcd	@4mA 160	65-120	100	145	200

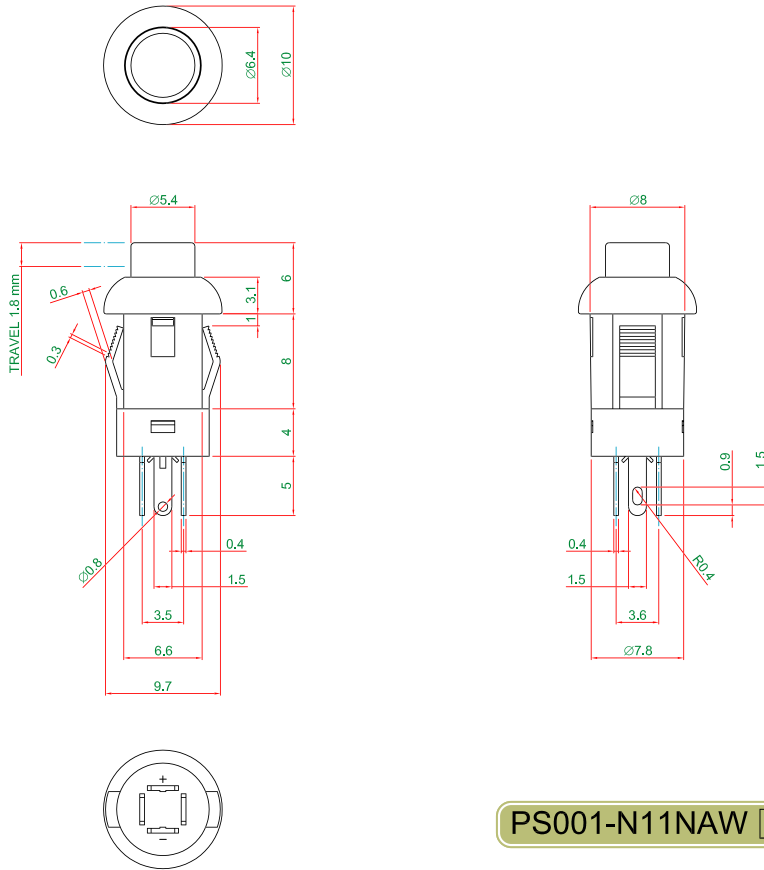
- Physical and electrical information of LED will be provided upon customer's request on switches.

HOW TO ORDER



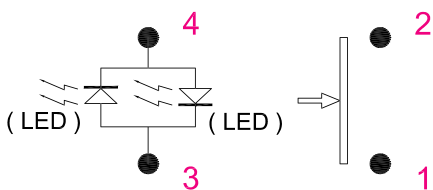


DIMENSION



PS001-N11NAW

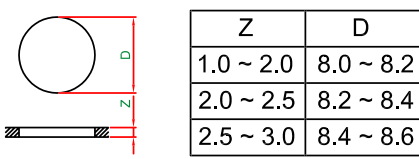
LED CIRCUIT DIAGRAM



MATERIAL

- COVER - PA + GF
- ACTUATOR - PC
- BASE FRAME - PA + GF
- TERMINAL - BRASS GOLD FLASH

PANEL CUT OUT



UNIT WEIGHT

- PS001 - 1.2 ± 0.05 g / pcs