

## Push Button Switch P13 Series



### SPECIFICATION

- Electrical Rating : 1A 250VAC(UL)  
1A 250VAC/3A 125VAC(VDE)
- Mechanical life: Over 30000 cycles
- Electrical life: Over 10000 cycles
- Contact resistance: <math><20\text{m}\Omega</math>
- Insulation resistance: >1000M $\Omega$
- High voltage resistance: >1500V 1 min.
- Ambient temperature: Terminal side -20 to +85°C  
Actuating side -20 to +55°C
- Storage temperature: -30 to +80°C Max
- Atmospheric humidity: Max.85%
- Actuating force: 3 to 6N
- Flammability: 94V-2
- Temperature rise at the terminal: Max 30°C (UL1054)
- Solder ability of terminal: Max 350°C, 3s

### MATERIALS

- Housing: PA66
- Rocker: PA66
- Contacts: Silver alloy
- Terminal: Copper or brass silver plated
- Spring: SWP,SWB,SUS301
- Movable arm: Copper silver plated

### HOW TO ORDER

**P 1 3**

Series

Series

**- 1 A**

Switch  
Function

1A	ON-OFF
1B	OFF-(ON)
1C	ON-(OFF)

**K**

Housing  
Color

G	Gray
W	White
K	Black

**K**

Actuator  
Color

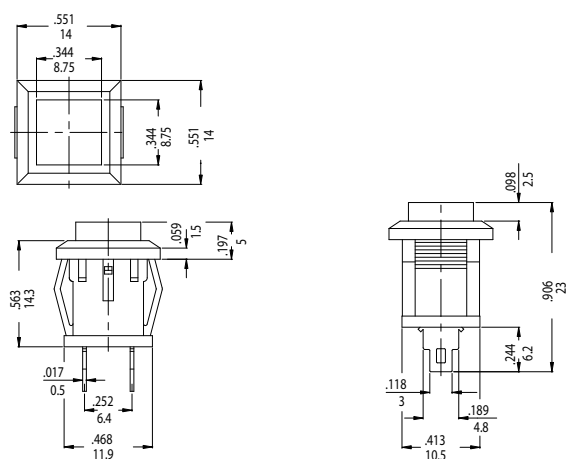
G	Gray
W	White
K	Black
O	Orange
R	Red
B	Blue

**S**

Terminal  
Type

Solder Type  
Terminal

### Dimension



### Panel cut out



Z	Y	X
0.7~1.25	11.2~11.3	12.25~12.35
1.25~2.0	11.2~11.3	12.35~12.45
2.0~3.0	11.2~11.3	12.45~12.55