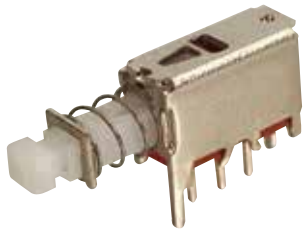




Push Button Switch MS Series



Feature

- 0.3A,30 V DC for Power Switch
- 1 Pole & 2 Pole circuitry

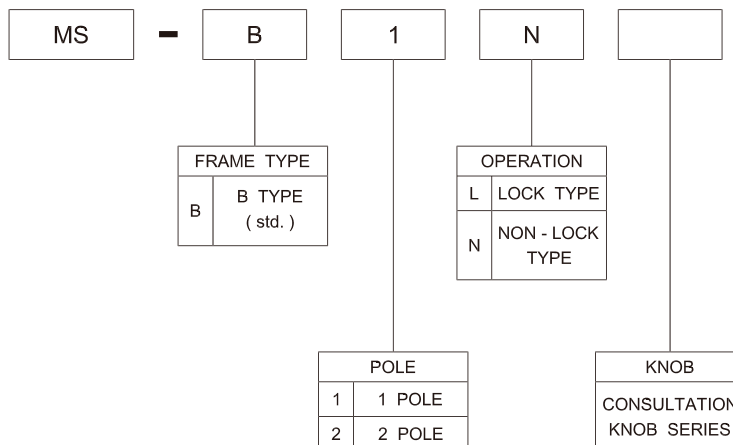
Applications

- Home Electronic Equipment
- Industrial Electronic Equipment
- Audio System
- ADSL Modem
- Wireless AP

Specifications

SWITCH SPECIFICATIONS	
POLE - POSITION	1P2T , 2P2T , Momentary and Lock Type are available
CONTACT RATING	30 V DC , 0.3 A
CONTACT RESISTANCE	30 mΩ max . 1.5 V DC ; 100 mA , by Method of Voltage DROP
INSULATION RESISTANCE	100 MΩ min . 500 V DC
DIELECTRIC STRENGTH	Breakdown is not Allowable ; 500 V DC for 1 Minute
OPERATING FORCE	1P2P - 200 ± 100gf ; 2P2T - 250 ± 100gf
OPERATING LIFE	10,000 cycles
OPERATING TEMPERATURE RANGE	-20°C ~ 70°C
TOTAL TRAVEL	2.5 ± 0.3 mm

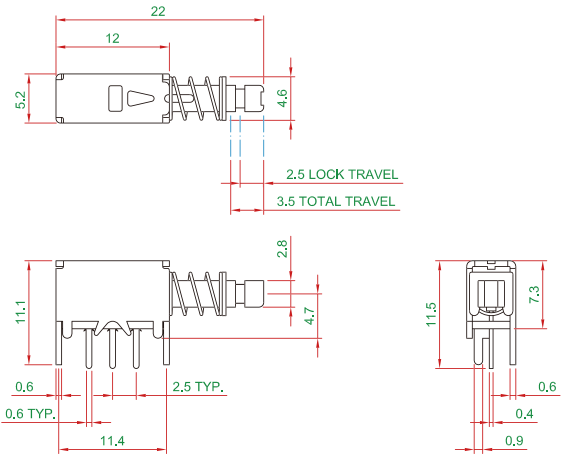
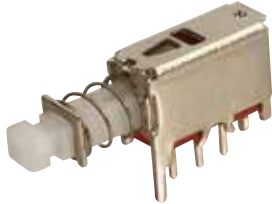
How To Order



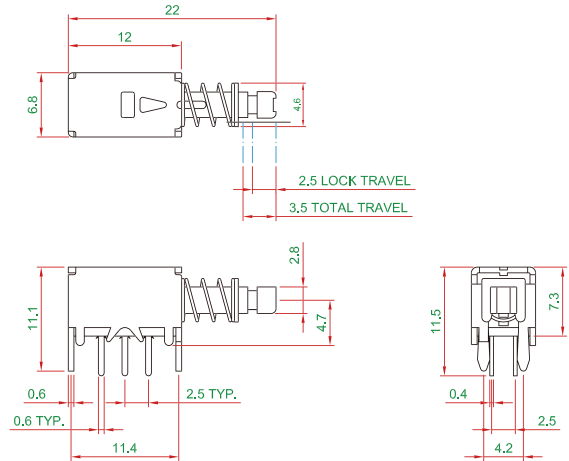
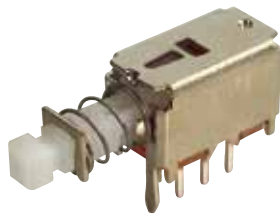


Dimension

MS - B1N



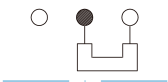
MS - B2N



Circuit

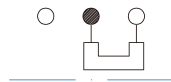
MS - B1N

NO COM NC



MS - B2N

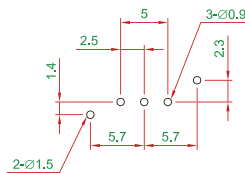
NO COM NC



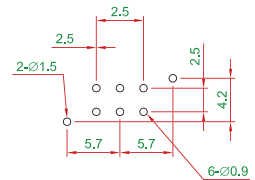
NO COM NC

P.C.B Layout

MS - B1N



MS - B2N



Material

- ACTUATOR - POM
- TERMINAL - BRASS SILVER PLATING
- FRAME - STEEL PLATE
- SPRING - STAINLESS STEEL

Unit Weight

- MS - B1N : 1.4 ± 0.05 g / pcs
- MS - B2N : 1.8 ± 0.05 g / pcs