

**PUSH BUTTON SWITCH WITH LED MLS SERIES**



**Feature**



- Small size
- LED illumination
- Two color available
- Single pole, Single throw

**Applications**

- Computer Product
- Office appliance
- Communication Equipments

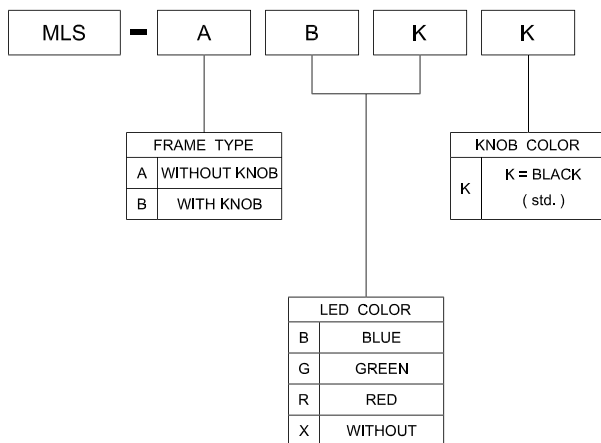
**SPECIFICATIONS**

SWITCH SPECIFICATIONS	
POLE - POSITION	Momentary Type , SPST with LED
CONTACT RATING	36 V DC , 0.2 A
CONTACT RESISTANCE	40 mΩ max . 1.5 V DC ; 100 mA , by Method of Voltage DROP
INSULATION RESISTANCE	100 MΩ min . 500 V DC
DIELECTRIC STRENGTH	Breakdown is not Allowable ; 500 V AC for 1 Minute
OPERATING FORCE	300 ± 100 gf
OPERATING LIFE	10,000 cycles
OPERATING TEMPERATURE RANGE	-20°C ~ 70°C
TOTAL TRAVEL	FULL TRAVEL - 2.4 ± 0.3 mm CONTACT TRAVEL - 1.6 ± 0.3 mm

LED SPECIFICATIONS						
 <b>ATTENTION</b> LEDs are Electrostatic Sensitive devices		Unit	Value / LED Color			
			Blue	Green	Red	Yellow
FORWARD CURRENT	If	mA	30	30	40	30
REVERSE VOLTAGE	Vr	V	5.0	5.0	5.0	5.0
REVERSE CURRENT	Ir	μA	50	10	10	10
FORWARD VOLTAGE@20mA	Vf	V	3.5-4.0	1.7-2.8	1.5-2.4	1.7-2.8
LUMINOUS INTENSITY@20mA	Iv	mcd	350-700	60-100	75-120	45-75

• Physical and electrical information of LED will be provided upon customer's request on switches.

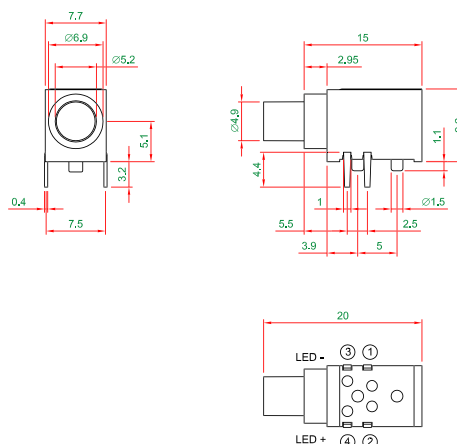
**HOW TO ORDER**



DIMENSION



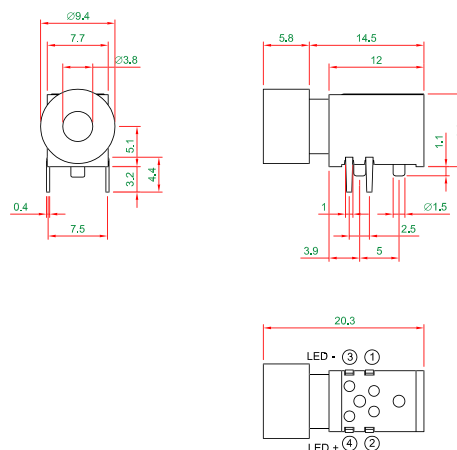
MLS - A □ □



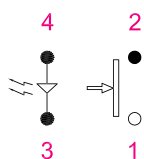
DIMENSION



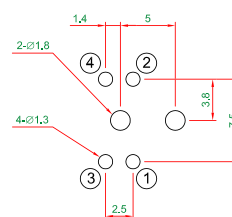
MLS - B □ □ K



SCHEMATIC



P.C.B LAYOUT



MATERIAL

- COVER - PA + GF
- ACTUATOR - PA + GF
- BASE FRAME - PA + GF
- TERMINAL - BRASS SILVER PLATING

UNIT WEIGHT

- MLS - A □ □ : 1.2 ± 0.05 g / pcs
- MLS - B □ □ K : 1.4 ± 0.05 g / pcs