



Feature


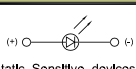
- LED illumination
- Two color available

Applications

- Computer Product
- Office appliance
- Communication Equipments

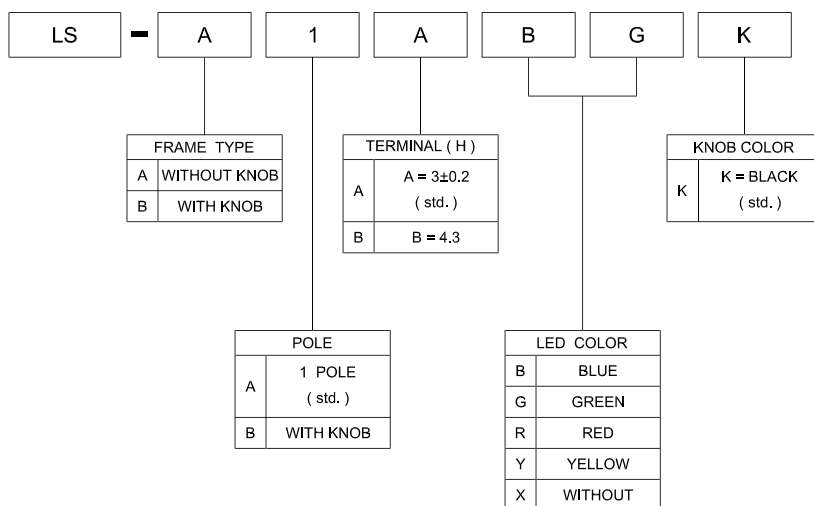
SPECIFICATIONS

| SWITCH SPECIFICATIONS | |
|-----------------------------|--|
| POLE - POSITION | Momentary Type , LOCK Type with LED |
| CONTACT RATING | 36 V DC , 0.2 A |
| CONTACT RESISTANCE | 40 mΩ max . 1.5 V DC ; 100 mA , by Method of Voltage DROP |
| INSULATION RESISTANCE | 100 MΩ min . 500 V DC |
| DIELECTRIC STRENGTH | Breakdown is not Allowable ; 500 V AC for 1 Minute |
| OPERATING FORCE | 200 ± 100 gf |
| OPERATING LIFE | 10,000 cycles |
| OPERATING TEMPERATURE RANGE | -20°C ~ 70°C |
| TOTAL TRAVEL | FULL TRAVEL - 2.2 ± 0.3 mm CONTACT TRAVEL - 1.6 ± 0.3 mm |

| LED SPECIFICATIONS | | Unit | Value / LED Color | | | |
|---|---|------|-------------------|---------|---------|---------|
| | | | Blue | Green | Red | Yellow |
|  ATTENTION LEDs are Electrostatic Sensitive devices |  | | | | | |
| FORWARD CURRENT | If | mA | 30 | 30 | 40 | 30 |
| REVERSE VOLTAGE | Vr | V | 5.0 | 5.0 | 5.0 | 5.0 |
| REVERSE CURRENT | Ir | μA | 50 | 10 | 10 | 10 |
| FORWARD VOLTAGE@20mA | Vf | V | 3.5-4.0 | 1.7-2.8 | 1.5-2.4 | 1.7-2.8 |
| LUMINOUS INTENSITY@20mA | Iv | mcd | 350-700 | 60-100 | 75-120 | 45-75 |

- Physical and electrical information of LED will be provided upon customer's request on switches.

HOW TO ORDER

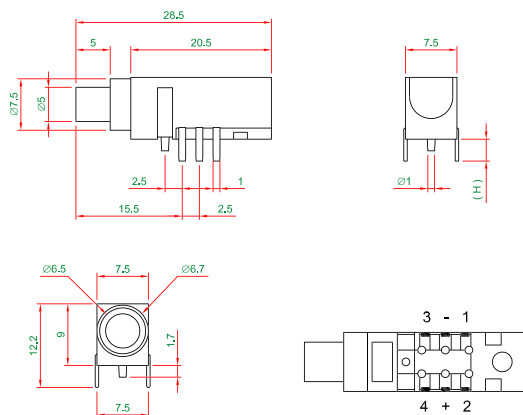


PUSH BUTTON SWITCH WITH LED LS SERIES

DIMENSION



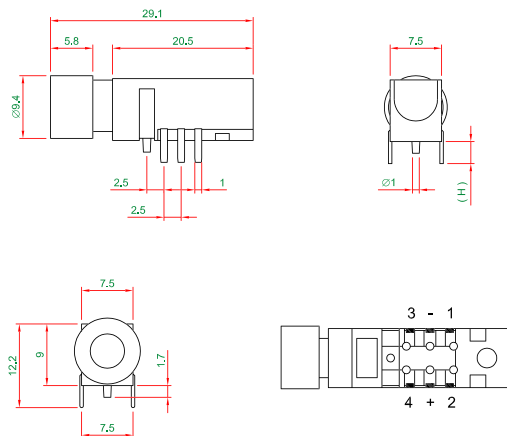
LS - A1A □ □



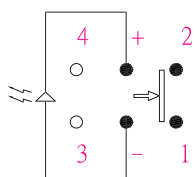
DIMENSION



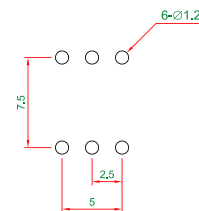
LS - B1A □ □ K



SCHEMATIC



P.C.B LAYOUT



MATERIAL

- COVER - PA + GF
- ACTUATOR - PA + GF
- BASE FRAME - PA + GF
- TERMINAL - BRASS SILVER PLATING , GOLD PLATED

UNIT WEIGHT

- LS - A1A □ □ : 1.7 ± 0.05 g / pcs
- LS - B1A □ □ K : 2.0 ± 0.05 g / pcs