



**Push Button Switch LC83 Series**



**SPECIFICATION**

Electrical Rating : 16A 250VAC/125VAC(UL)  
 10(4)A 250VAC(VDE)  
 Mechanical life: Over 30000 cycles  
 Electrical life: Over 10000 cycles  
 Contact resistance: <20mΩ  
 Insulation resistance: >1000MΩ  
 High voltage resistance: >1500V 1 min.  
 Ambient temperature: Terminal side -20 to +105°C  
 Actuating side -20 to +55°C  
 Storage temperature: -30 to +80°C Max  
 Atmospheric humidity: Max.85%  
 Actuating force: 3 to 6N(Depends on different switch function)  
 Flammability: 94V-2  
 Temperature rise at the terminal: Max 30°C (UL1054)  
 Solder ability of terminal: Max 350°C, 3s



**MATERIALS**

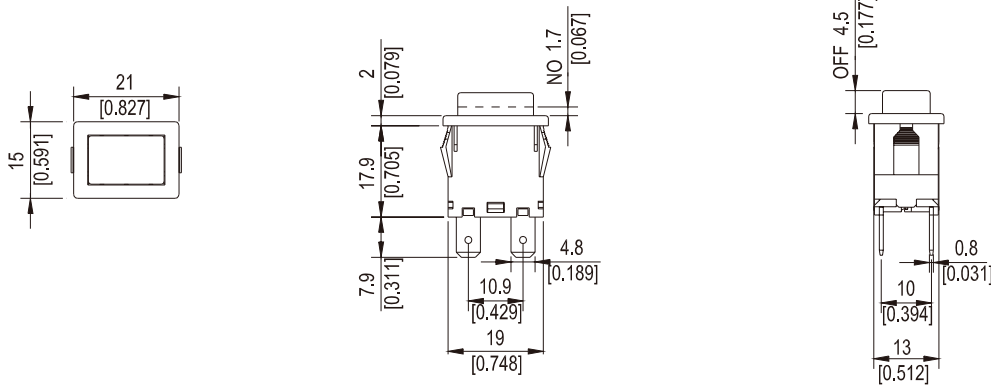
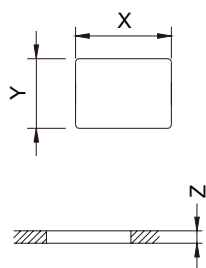
Housing: PA66  
 Rocker: PC  
 Contacts: Silver alloy  
 Terminal: Copper silver plated  
 Spring: SUS  
 Movable Arm: Copper silver plated  
 Lamp: Neon Lamp, Tungsten Lamp  
 Bracket: PA66

**HOW TO ORDER**

<p><b>LC83</b> Series</p> <p>Series</p>	<p><b>01</b> Switch Function</p> <table border="1"> <tr><td>01</td><td>ON - OFF</td></tr> <tr><td>02</td><td>(ON) - OFF</td></tr> <tr><td>03</td><td>ON-OFF (with lamp)</td></tr> <tr><td>04</td><td>(ON) - OFF (with lamp)</td></tr> <tr><td>05</td><td>ON - OFF</td></tr> <tr><td>06</td><td>(ON) - OFF</td></tr> <tr><td>07</td><td>ON-OFF (with lamp)</td></tr> <tr><td>08</td><td>(ON)-OFF (with lamp)</td></tr> </table>	01	ON - OFF	02	(ON) - OFF	03	ON-OFF (with lamp)	04	(ON) - OFF (with lamp)	05	ON - OFF	06	(ON) - OFF	07	ON-OFF (with lamp)	08	(ON)-OFF (with lamp)	<p><b>K</b> Housing Color</p> <table border="1"> <tr><td>G</td><td>Gray</td></tr> <tr><td>W</td><td>White</td></tr> <tr><td>K</td><td>Black</td></tr> </table>	G	Gray	W	White	K	Black	<p><b>K</b> Actuator Color</p> <table border="1"> <tr><td>G</td><td>Gray</td></tr> <tr><td>W</td><td>White</td></tr> <tr><td>K</td><td>Black</td></tr> <tr><td>O</td><td>Orange</td></tr> <tr><td>R</td><td>Red</td></tr> <tr><td>Y</td><td>Yellow(illu)</td></tr> <tr><td>M</td><td>Green(illu)</td></tr> <tr><td>D</td><td>Red(illu)</td></tr> <tr><td>F</td><td>Blue(illu)</td></tr> </table>	G	Gray	W	White	K	Black	O	Orange	R	Red	Y	Yellow(illu)	M	Green(illu)	D	Red(illu)	F	Blue(illu)	<p><b>E</b> Marking</p> <p>E No Marking</p>	<p><b>T</b> Terminal Type</p> <p>T Quick connect tab type</p>	<p><b>0</b> Lamp Voltage</p> <table border="1"> <tr><td>0</td><td>No lamp</td></tr> <tr><td>1</td><td>125V AC</td></tr> <tr><td>2</td><td>250V AC</td></tr> </table>	0	No lamp	1	125V AC	2	250V AC	<p><b>B</b> Safety Approval</p> <table border="1"> <tr><td>B</td><td>4 Safety Approvals</td></tr> <tr><td>E</td><td>None Approvals</td></tr> </table>	B	4 Safety Approvals	E	None Approvals
01	ON - OFF																																																								
02	(ON) - OFF																																																								
03	ON-OFF (with lamp)																																																								
04	(ON) - OFF (with lamp)																																																								
05	ON - OFF																																																								
06	(ON) - OFF																																																								
07	ON-OFF (with lamp)																																																								
08	(ON)-OFF (with lamp)																																																								
G	Gray																																																								
W	White																																																								
K	Black																																																								
G	Gray																																																								
W	White																																																								
K	Black																																																								
O	Orange																																																								
R	Red																																																								
Y	Yellow(illu)																																																								
M	Green(illu)																																																								
D	Red(illu)																																																								
F	Blue(illu)																																																								
0	No lamp																																																								
1	125V AC																																																								
2	250V AC																																																								
B	4 Safety Approvals																																																								
E	None Approvals																																																								

**Option of switch function**

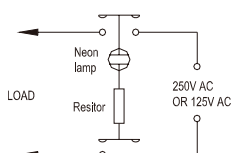
Item No	POLES&THROWS	Push button position ( ):Momentary		
		Down	Center	Up
LC8301	SPST	ON	None	OFF
LC8302	SPST	(ON)	None	OFF
LC8303	SPST(with lamp)	ON	None	OFF
LC8304	SPST(with lamp)	(ON)	None	OFF
LC8305	DPST	ON	None	OFF
LC8306	DPST	(ON)	None	OFF
LC8307	DPST(with lamp)	ON	None	OFF
LC8308	DPST(with lamp)	(ON)	None	OFF

**Dimension**

**Panel cut out**


Z	Y	X
0.70~1.25	12.90~13.00	19.10~19.20
1.25~2.00	12.90~13.00	19.30~19.40
2.00~3.00	12.90~13.00	19.50~19.60

**Circuit of switch with lamp**

Circuits for LC8303, LC8304



Circuits for LC8307, LC8308

