

Push Button Switch LC210 Series



SPECIFICATION

- Electrical Rating : 10A 250VAC/125VAC(UL)
10(4)A 250VAC(VDE,ENEC)
- Mechanical life: Over 30000 cycles
- Electrical life: Over 10000 cycles
- Contact resistance: <20mΩ(Initial)
- Insulation resistance: >1000MΩ
- High voltage resistance: >1500V 1 min.
- Ambient temperature: Terminal side -20 to +85°C
Actuating side -20 to +55°C
- Storage temperature: -30 to +85°C
- Atmospheric humidity: Max.85%
- Actuating force: 3 ~8N(Depends on different switch function)
- Flammability: UL94 V-2
- Temperature rise at the terminal: Max 30°C (UL1054)
- Solder ability of terminal: Max 350°C, 3s



MATERIALS

- Housing: PA66
- Rocker: PC/PA66
- Contacts: Silver alloy
- Terminal: Brass sliver plated
- Spring: SWC
- Movable Arm: C2680
- Bracket: PA66

HOW TO ORDER

LC210

Series

Series

1

Switch
Function

1	ON - OFF
2	(ON) - OFF
5	ON - OFF
6	(ON) - OFF
7	ON-OFF(with lamp)
8	(ON)-OFF(with lamp)

K

Housing
Color

G	Gray
W	White
K	Black

K

Actuator
Color

G	Gray
W	White
K	Black
O	Orange
R	Red
Y	Yellow(illu)
M	Green(illu)
D	Red(illu)
F	Blue(illu)

E

Marking

E No Marking

T

Terminal
Type

T Quick connect tab type

0

Lamp
Voltage

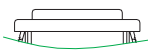

0	No lamp
1	125V AC
2	250V AC
3	12V DC
4	24V DC

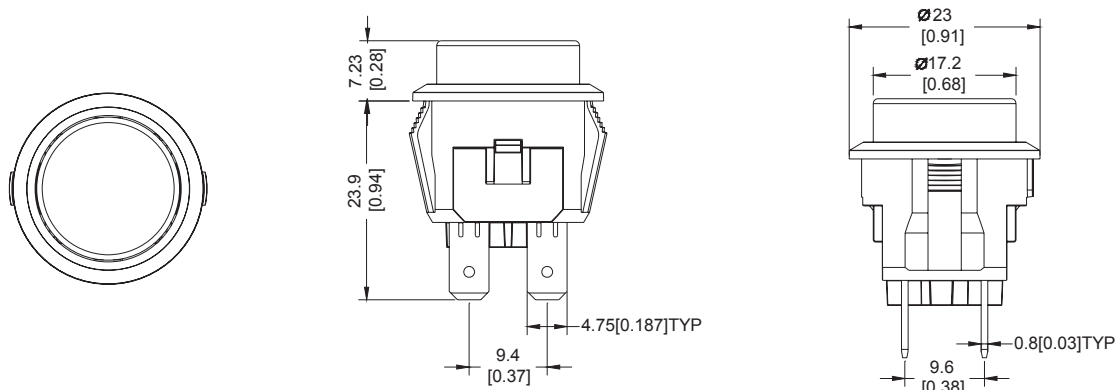
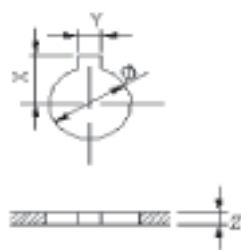
B

Safety
Approval

F	5 Safety Approvals
B	UL,CUL,CQC

Option of switch function

Item No	POLES & THROWS	Down	Center	Up
				
LC2101	SPST	ON	None	OFF
LC2102	SPST	(ON)	None	OFF
LC2105	DPST	ON	None	OFF
LC2106	DPST	(ON)	None	OFF
LC2107	DPST(with lamp)	ON	None	OFF
LC2108	DPST(with lamp)	(ON)	None	OFF

Dimension

Panel cut out


PANEL CUT OUT			
Z	Y	I	\varnothing
0.7~1.25	2	11	$\varnothing 20.5$
1.25~2.0	2	11	$\varnothing 20.5$
2.0~3.0	2	11	$\varnothing 20.5$

Circuit of switch with lamp
