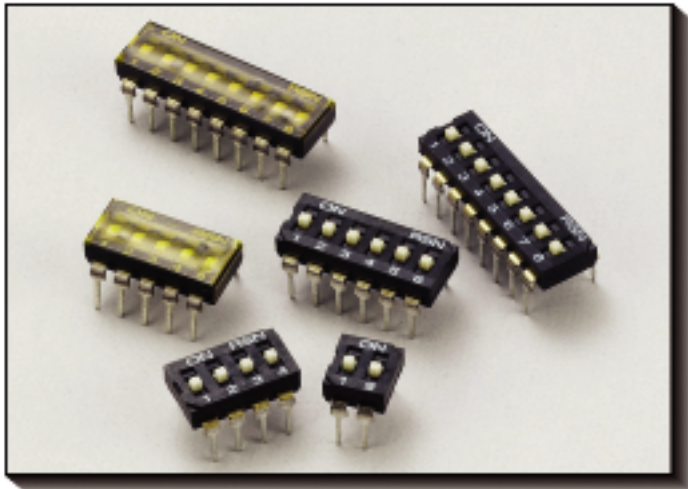
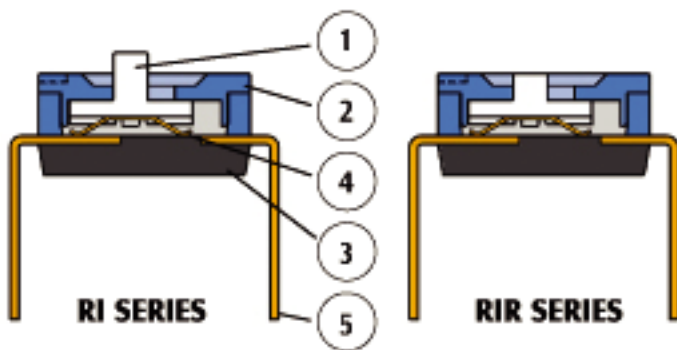


## Dip Switch RI,RIR Series

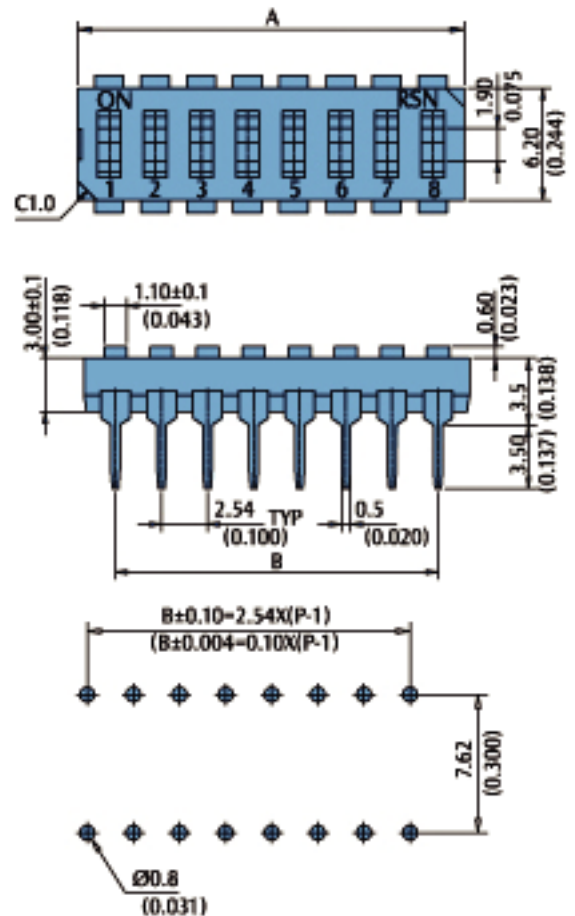


### RI & RIR CONSTRUCTION

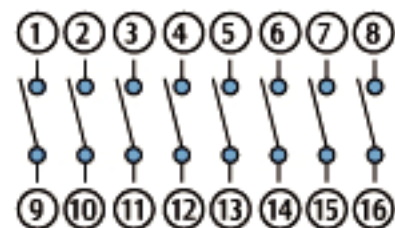


1. RI series (raised actuator) and RIR series (recessed actuator) available for different purposes.
2. Splay terminals allow for automatic insertion by IC insertion machine.
3. Straight terminals are available for manual insertion.
4. Low contact resistance, and self-clean on contact area.
5. Gold plated electrical contact and terminal plating by gold gives excellent results when soldering.
6. All materials are UL94V-0 grade fire retardant plastics.

ITEM	Description	Materials	Treatment
1	Actuator	UL94V-0 Nylon	Molded white
2	Cover	UL94V-0 Nylon	Molded black
3	Base	UL94V-0 Nylon	Molded black
4	Contact	Alloy Copper	Gold plated at contact area
5	Terminal	Brass	Gold plated at contact area and gold plating at terminal

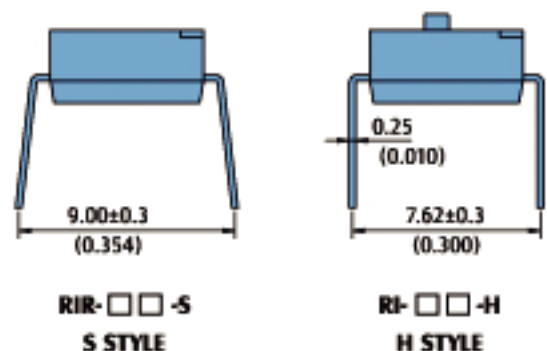


### P.C.B. LAYOUT



### CIRCUIT DIAGRAM

### TERMINAL TYPE

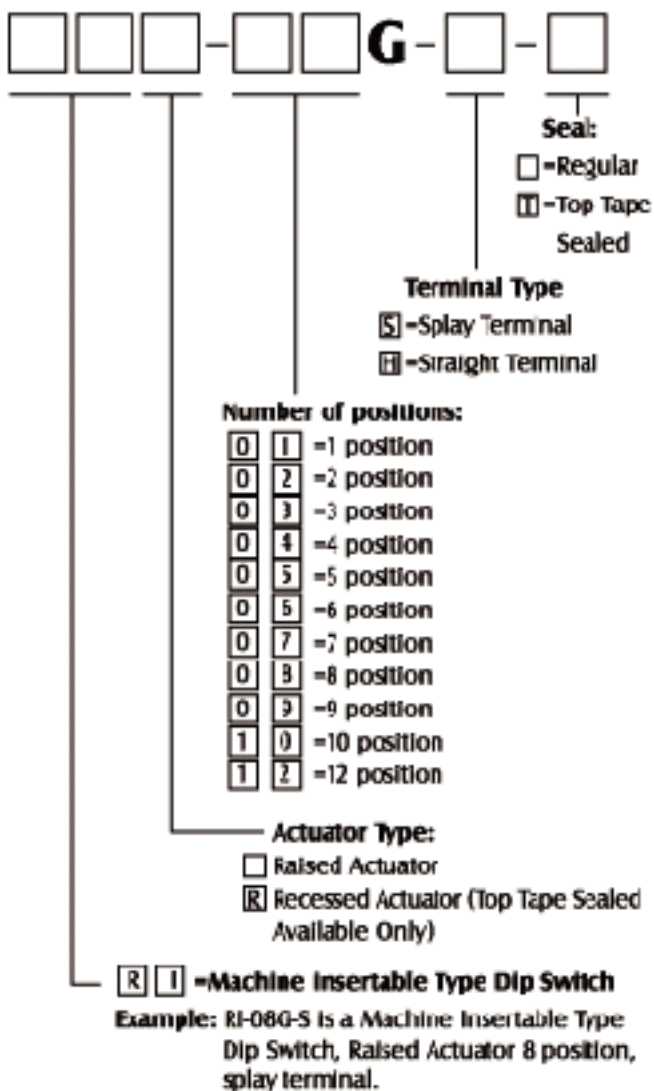


## Dip Switch RI,RIR Series

### MODEL

PART NO.	NO. OF POS	DIM A	
RI/RIR-01	01	3.48	0.137
RI/RIR-02	02	6.02	0.237
RI/RIR-03	03	8.56	0.337
RI/RIR-04	04	11.1	0.437
RI/RIR-05	05	13.64	0.537
RI/RIR-06	06	16.18	0.537
RI/RIR-07	07	18.72	0.737
RI/RIR-08	08	21.26	0.837
RI/RIR-09	09	23.8	0.937
RI/RIR-10	10	26.34	1.037
RI/RIR-12	12	31.42	1.237

### HOW TO ORDER



#### PACKING

All DIP switches are shipped in standard IC tubes with all poles in "OFF" position.

### SPECIFICATION

#### ELECTRICAL

Electrical life: 2000 operation cycles per switch 24VDC, 25mA.

Non-Switching Rating: 100mA, 50 VDC

Switching Rating: 25mA, 24VDC.

Contact resistance: (a) 50mΩ max. at Initial

(b) 100mΩ max. after life test.

Insulation resistance: 100MΩ min. (at 500VDC)

Dielectric Strength: 500VAC/1 minute.

Capacitance: 5pF max.

Circuit: Single pole single throw

#### MECHANICAL

Mechanical life: 2000 operations per cycle switch

Operation Force: 600gf max.

Stroke: 0.9mm

Operation Temp: -25° C to +70° C

Storage Temp: -40° C to +85° C

Vibration Test: MIL-STD-202F METHOD 201A

Frequency: 10-55-10Hz/1 min

Directions: X, Y, Z, three mutually perpendicular directions.

Time: 2 hours each direction.

High reliability.

Shock Test: MIL-STD-202F METHOD 213B.

CONDITION A

GRAVITY: 50G (peak value), 11 m/sec.

Direction and times: 6 sides and three times in each direction. High reliability.

#### SOLDERING AND CLEANING PROCESSES

For best results, please follow these recommendations:

Keep all switch contacts in their "OFF" position for all operations.

**WAVE SOLDERING:** Recommended solder temperature at 500 F (260° C) max. 5 seconds.

**HAND SOLDERING:** Use a soldering iron of 30 watts, controlled at 608 F(320° C) approximately 2 seconds while applying solder.

**CLEANING PROCESS:** Flux clean using force rinse, high agitation or triple bath cleaning method. Freon TF or TE give excellent results. When vapor methods are used, do not subject the switch to solvents at temperatures above 125 F (51° C).