


SPECIFICATIONS

RATING : 2A/36VDC
ELECTRICAL LIFE: 200,000 make-and-break cycles at full load.
MECHANICAL LIFE: 1,000,000. Cycles
DIELECTRIC STRENGTH: 2,000V RMS@sea level
CONTACT RESISTANCE: 50mΩ MAX.@1A 12VDC(initial value)
OPERATING TEMPERATURE: -20°C to 70°C
TRAVEL: ABOUT 1.8mm
OPERATION PRESSURE: 4.5±1.5N
INGRESS PROTECTION: IP67,IK10(Stainless)
TORQUE: 1~3Nm
 Current limiting resistor is required to limit led forward current to 20mA

MATERIALS

BUSHING : Stainless Steel
BASE : PA66,White UL-94V0
ACTUATOR : PC,Translucent UL-94V2
 Stainless Steel
INNER ASSEMBLY : PC,Transparent UL-94V2
SPRING : Spring steel
SEALING : Silicone,Translucent
O-Ring : Silicone
TERMINAL : Brass ,Gold flash plated
CONTACT : Brass,Sliver alloy
HEX NUT : Brass,Nickel plated

 IP 67
ACCORDING TO
EN 60529:1991+A1:2001
IEC 60028:2001

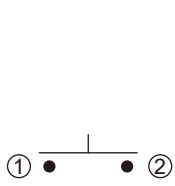
HOW TO ORDER

MODEL NO.	BODY MATERIAL	BODY TYPE	BUTTON TYPE	LIGHT TYPE	LED COLOR	TERMINAL SHAPE	TERMINAL PLATING	LED VOLTAGE	WIRE														
MPS22	□	□	□	□	□	□	□	□□	□														
	Body Material A0 Stainless (Natural)	Body type 1 Double flat 2 Non-flat 3 D Shape	Button type F Flat	Light type N Without LED E Ring P Power+Ring	LED Color	Terminal shape J Solder terminal	Terminal plating R Gold flash	Accessories	Wire														
								Resistance (About LED Voltage)	□ Without wire L0001 Wire length 500mm														
								<table border="1"> <tr><td>0V</td><td>Without Resistance</td></tr> <tr><td>3V</td><td>LED input 3 VDC,47Ω * Red/Yellow/Orange LED type only</td></tr> <tr><td>6V</td><td>LED input 6 VDC,180Ω</td></tr> <tr><td>12V</td><td>LED input 12 VDC,470Ω</td></tr> <tr><td>24V</td><td>LED input 24 VDC,1000Ω</td></tr> </table> ※ ohms value of resistance tolerance: ±5%	0V	Without Resistance	3V	LED input 3 VDC,47Ω * Red/Yellow/Orange LED type only	6V	LED input 6 VDC,180Ω	12V	LED input 12 VDC,470Ω	24V	LED input 24 VDC,1000Ω					
0V	Without Resistance																						
3V	LED input 3 VDC,47Ω * Red/Yellow/Orange LED type only																						
6V	LED input 6 VDC,180Ω																						
12V	LED input 12 VDC,470Ω																						
24V	LED input 24 VDC,1000Ω																						
					<table border="1"> <thead> <tr><th>ITEM NO</th><th>COLOR</th></tr> </thead> <tbody> <tr><td>0</td><td>Without LED</td></tr> <tr><td>1</td><td>White</td></tr> <tr><td>3</td><td>Red</td></tr> <tr><td>5</td><td>Yellow</td></tr> <tr><td>6</td><td>Green</td></tr> <tr><td>7</td><td>Blue</td></tr> </tbody> </table>	ITEM NO	COLOR	0	Without LED	1	White	3	Red	5	Yellow	6	Green	7	Blue				
ITEM NO	COLOR																						
0	Without LED																						
1	White																						
3	Red																						
5	Yellow																						
6	Green																						
7	Blue																						
					<table border="1"> <thead> <tr><th colspan="2">DUAL COLOR LED</th></tr> </thead> <tbody> <tr><td>A</td><td>Red&Green</td></tr> <tr><td>B</td><td>Red&Blue</td></tr> </tbody> </table>	DUAL COLOR LED		A	Red&Green	B	Red&Blue												
DUAL COLOR LED																							
A	Red&Green																						
B	Red&Blue																						

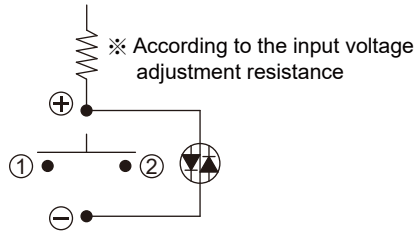
EXAMPLE:
 MPS22-A01FN-0-JR-0V (Without LED)
 MPS22-A01FE-□-JR-□V
 □ □
 LED color LED voltage



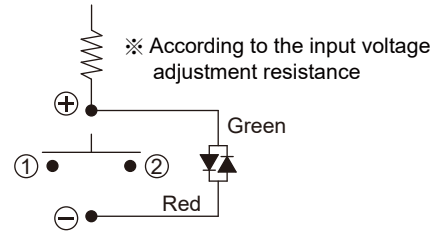
CIRCUIT



Without Led



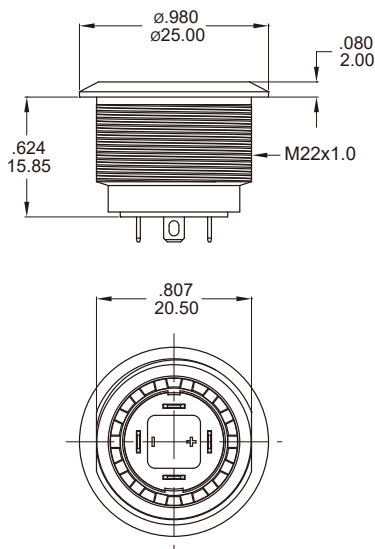
Single Color Led



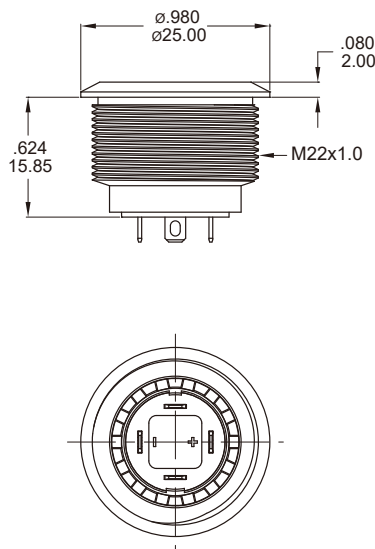
Dual Color Led

BODY TYPE

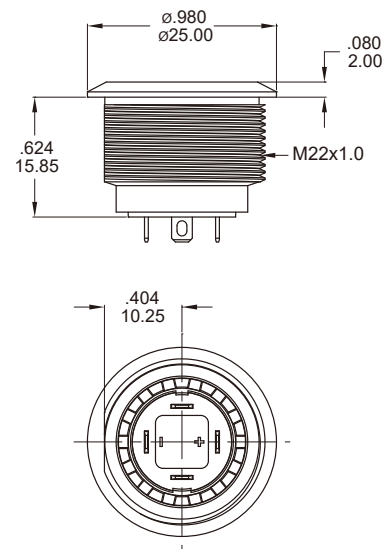
Double flat



Non-flat

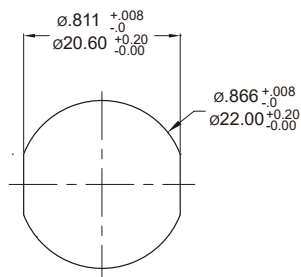


D Shape

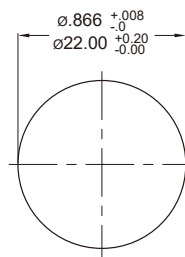


PANEL CUTOUT

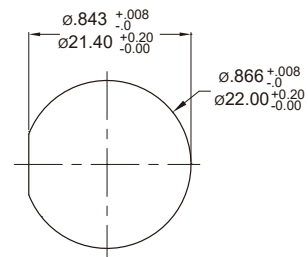
Thickness: 6.0mm(Max.)



Double flat



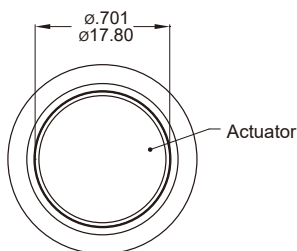
Non-flat



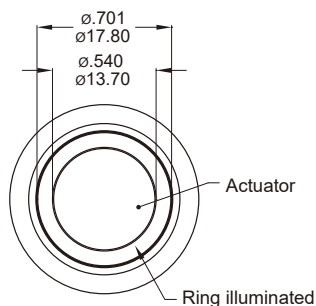
D Shape

LIGHT TYPE

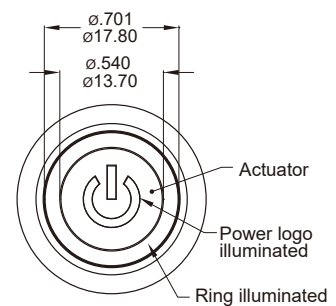
N Without LED

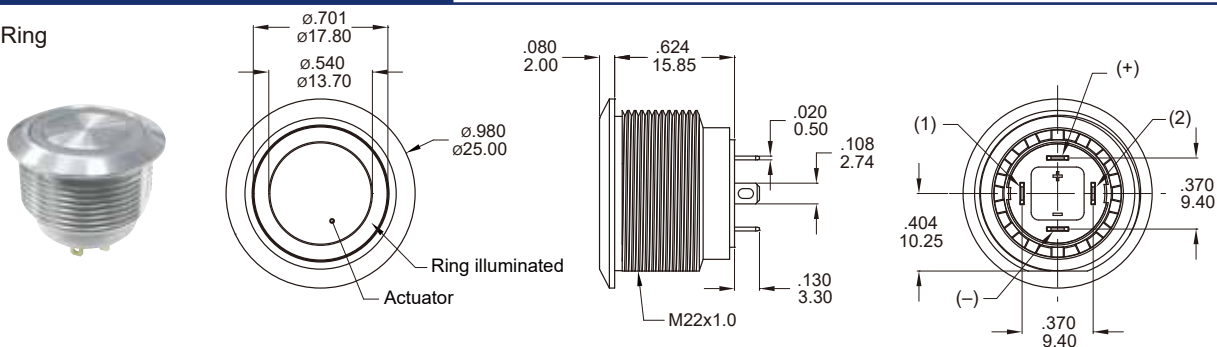


E Ring

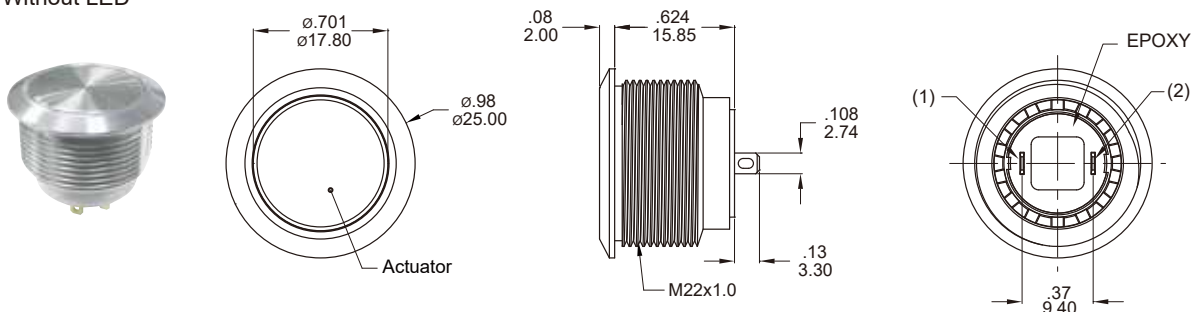


P Power+Ring

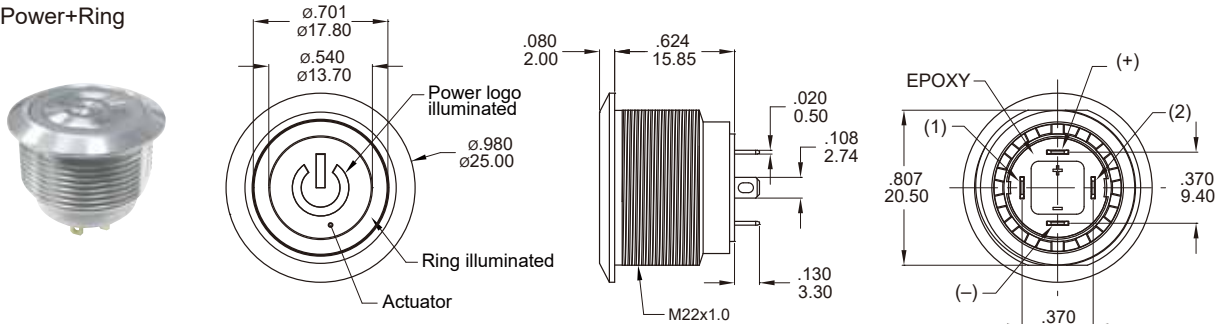


LIGHT TYPE
E Ring


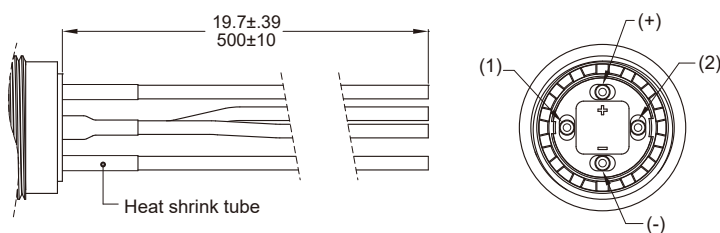
Part No. Shown : MPS22-A03FE-□-JR-□V

N Without LED


Part No. Shown : MPS22-A02FN-0-JR-0V

P Power+Ring


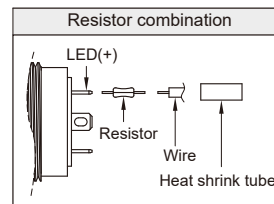
Part No. Shown : MPS22-A01FP-□-JR-□V

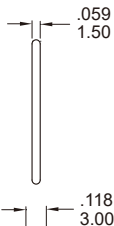
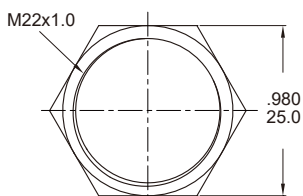
L0001 ※Wire=Multi-wire lead AWG20, section 0.6mm², UL approved

Non-LED

Description	Wire color
Terminal 1	Black
Terminal 2	Black

With LED

Description	Wire color
Terminal 1	Black
Terminal 2	Black
LED+	Red
LED-	Green


ADDITIONAL
O-RING
No.:CP-MPB07

M22 NUT
No.:NU-MPB02

O-RING INSTALLATION
